

Maris™ Undercounter Lavatory

FEATURES

- 17-5/8" x 14-9/16" Undercounter lavatory
- Optional CeFiONtect™ ceramic glaze - prevents debris and mold from sticking to ceramic surfaces, leading to fewer chemicals and less water in cleaning
- ADA compliant (with overflow to the rear)
- Mounting assembly complete with installation template and mounting screw set for wood countertops
- THU410 is required for marble/granite type counter top installation and must be purchased separately



MODELS

- LT483G - with CeFiONtect (#01, #03, #11, #12)
- LT483 - without CeFiONtect (#51)

COLORS/FINISHES

- #01 Cotton
- #03 Bone
- #11 Colonial White
- #12 Sedona Beige
- #51 Ebony

CODES/STANDARDS

- Meets and exceeds ASME A112.19.2/CSA B45.1
- Certifications: IAPMO(cUPC), State of Massachusetts, City of Los Angeles, and others
- Meets ADA guidelines and ANSI A117.1 requirements when countertop is installed 864mm (34") from finished floor and lavatory is installed 51mm (2") minimum from front edge.



PRODUCT SPECIFICATION

The undercounter lavatory shall be made of vitreous china. Lavatory shall be 17-5/8" in length and 14-9/16" in width. Product shall be with overflow and lavatory shall include mounting assembly. Lavatory shall be TOTO Model LT483_____.

LT483(G)

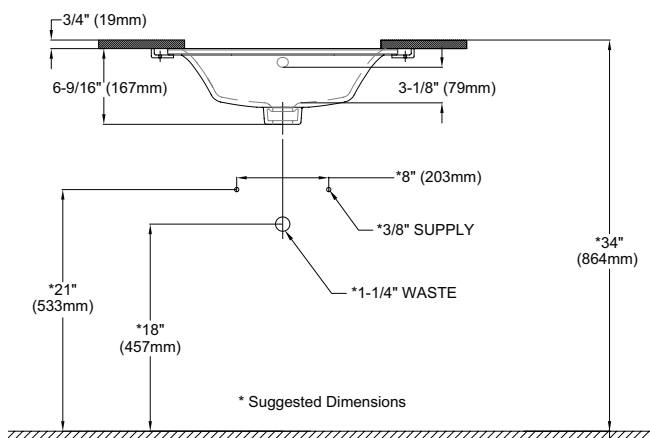
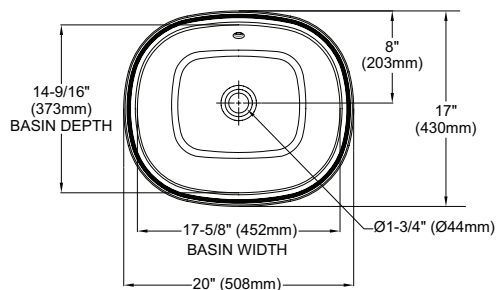
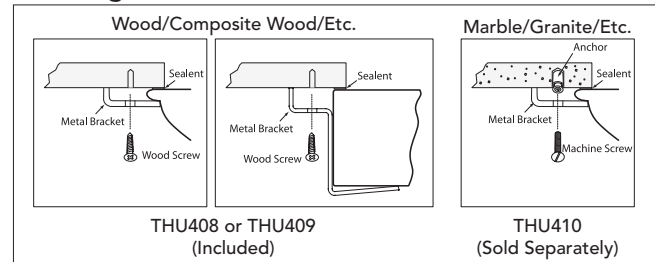
Maris™ Undercounter Lavatory

SPECIFICATIONS

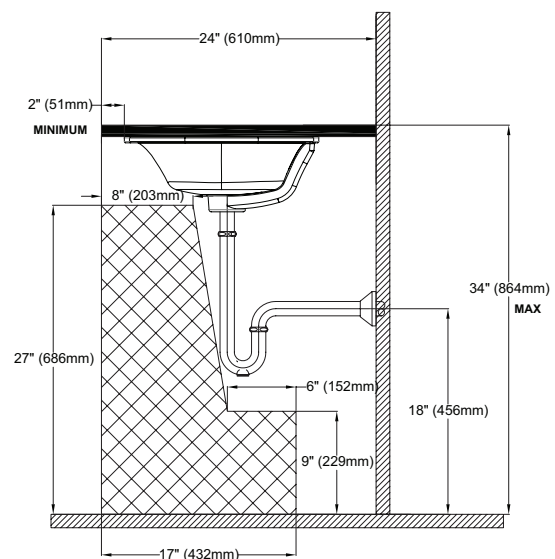
- Waste 1-1/4" O.D.
- Size 20"W x 17"D
- Basin 17-5/8"W x 14-9/16"D
- Warranty One Year Limited Warranty
- Material Vitreous china
- Shipping Weight 19.3 lbs.
- Shipping Dimensions 22-1/4"W X 18-3/4"D X 9-3/4"H

INSTALLATION NOTES

Mounting Hardware



ADA Compliance Check
Note: Overflow must be at rear



These dimensions and specifications are subject to change without notice