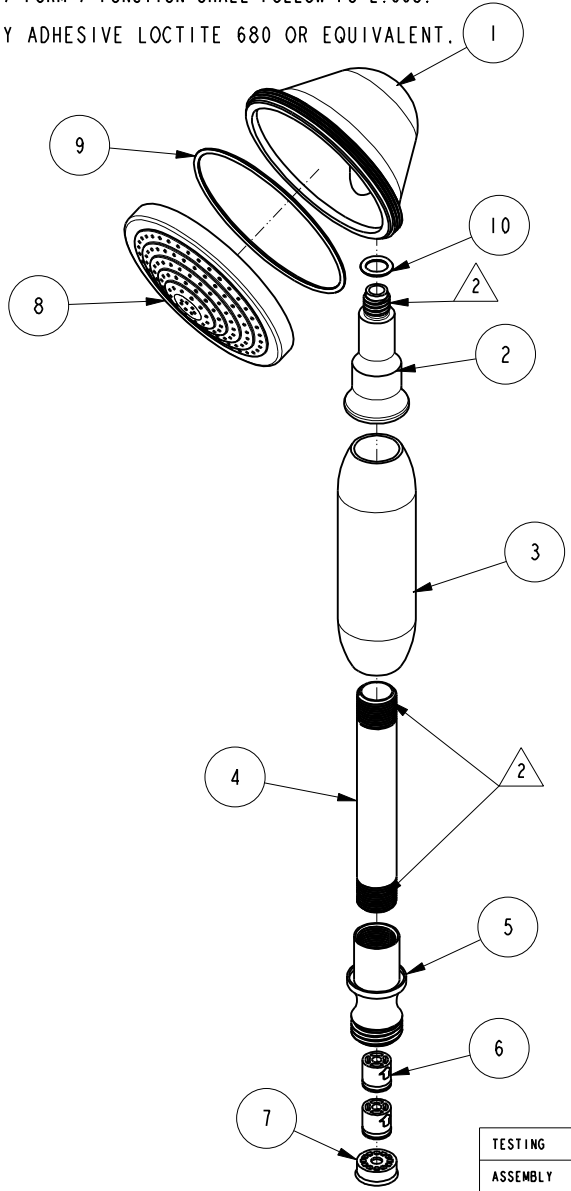


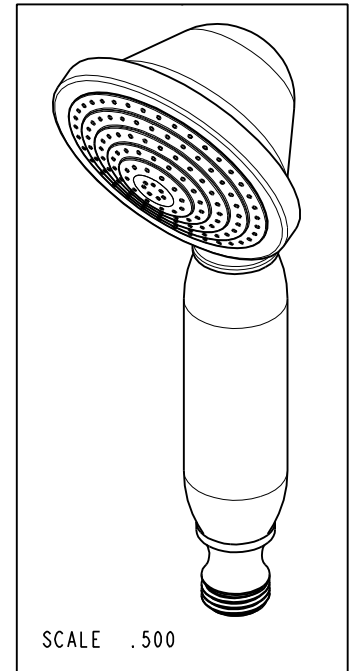
NOTES:

- (NI) 1. FIT / FORM / FUNCTION SHALL FOLLOW PS-E.008.
- 2. APPLY ADHESIVE LOCTITE 680 OR EQUIVALENT.



**BILL OF MATERIAL (CURRENT LEVEL)**

ITEM	PT/ASSY	DESCRIPTION	TYPE	QTY.
1	13226	BODY FOR HAND SHOWER	PART	1
2	13227	BODY FOR HAND SHOWER	PART	1
3	50281	HANDLE, SMOOTH, HAND SHOWER	PART	1
4	50918	NIPPLE	PART	1
5	50917	ADAPTER FOR HOSE	PART	1
6	5-050	CHECK VALVE, NEOPERL DW10, WHITE	PART	2
7	12832	FLOW REGULATOR, 1.8 GPM MAX	PART	1
8	13235	FACEPLATE (HND SHWR)	PART	1
9	91771	O-RING, #2-038, EPDM, 50 DURO - GREY	PART	1
10	91255	O-RING, #2- 011, EPDM, 65-75 DURO, NSF 61	PART	1



COPYRIGHT 2005 BRASSTECH, INC. THESE DRAWINGS AND THE DESIGNS DEPICTED HEREIN ARE THE PROPRIETARY PROPERTY OF BRASSTECH. ANY USE OR REPRODUCTION IS SUBJECT TO THE EXPRESS APPROVAL OF BRASSTECH. UNAUTHORIZED USE IS STRICTLY PROHIBITED. ALL RIGHTS RESERVED.

TESTING	-	-	-	UNITS ARE: INCHES [MM]
ASSEMBLY	-	-	-	TOLERANCES ARE:
PLATING	-	930-4261	930-4261	FRACTIONS DECIMALS ANGLES
POLISHING	-	NEXT ASSY	USED ON	±1/16" .X ±.1 [2,5] ±1°
MACHINING	-	APPLICATION		(X.XXX) DENOTES CRITICAL DIMS.
TOOLING FIXTURE #	REMOVE ALL BURRS AND SHARP EDGES			ALL THREADS ARE CRITICAL

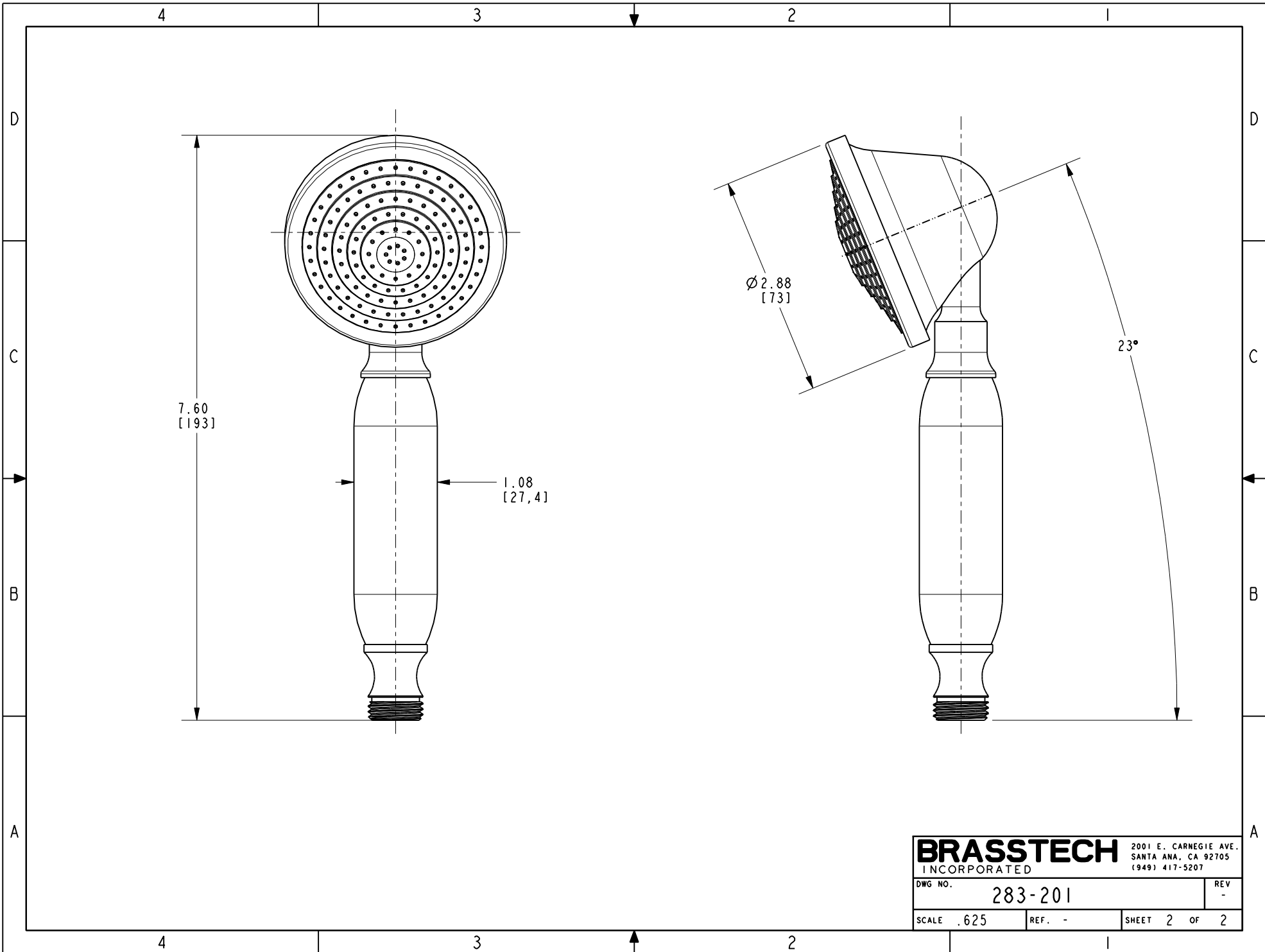
**BRASSTECH** 2001 CARNEGIE AVE. SANTA ANA, CA 92705 (949) 417-5207  
INCORPORATED

**HANDSHOWER ASM**

DWG NO. **283-201** REV -

SCALE .375 REF. - SHEET 1 OF 2

-	-	EN-3885	07/16/19	C.G.
ZONE	REV	DESCRIPTION	DATE	APPROVED



**BRASSTECH** 2001 E. CARNEGIE AVE.  
 INCORPORATED SANTA ANA, CA 92705  
 (949) 417-5207

DWG NO.	283-201	REV	-
SCALE	.625	REF.	-
SHEET 2		OF 2	