

4

3

2

1

NOTES:

- (N1) 1. FIT / FORM / FUNCTION SHALL FOLLOW PS-E.008.
- (2) TORQUE REQUIRED TO TIGHTEN THE SCREWS 24-26 LB-IN
- (N3) (3) 4-8 NPSM  
EXT. MAJOR DIA. MAX. 4.444 MIN. 4.429  
EXT. PITCH DIA. MAX. 4.363 MIN. 4.355

BILL OF MATERIAL (CURRENT LEVEL)

ITEM	PT/ASSY	DESCRIPTION	TYPE	QTY.
1	51064	6" SQUARE DRAIN THROAT	PART	1
2	51063	6" SQUARE DRAIN FLANGE	PART	1
3	12803	4" DOME STRAINER	PART	1
4	92498	SCRW, 10-24 X 1/4 SKT BUTTON HD SS	PART	4
5	51062	TILE HOLDER	PART	1
6	51073	PROTECTIVE COVER 6"	PART	1

D

C

B

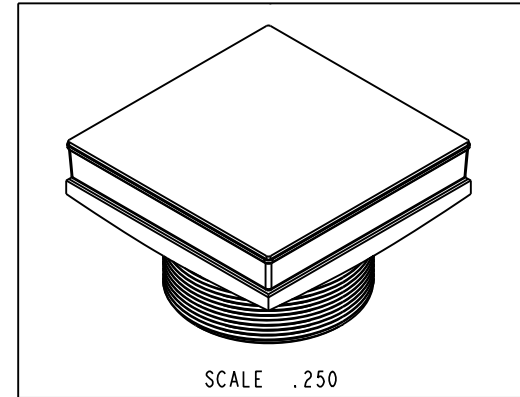
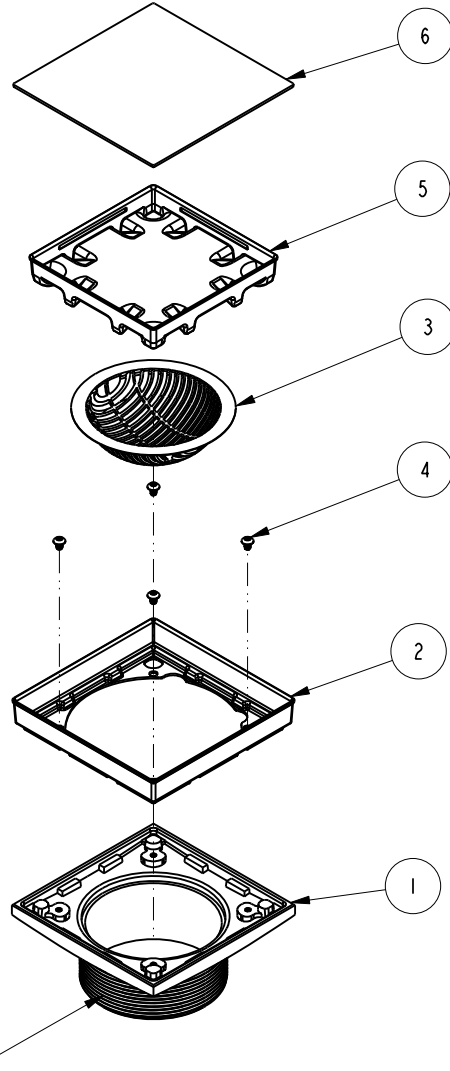
A

D

C

B

A



TESTING	ASSEMBLY	PLATING	POLISHING	MACHINING	TOOLING FIXTURE #	APPLICATION	UNITS ARE: INCHES [MM] TOLERANCES ARE: FRACTIONS DECIMALS ANGLES ±1/16" .X ±.1 [2.5] ±1° .XX ±.06 [1.5]
-	-	-	-	-	-	REMOVE ALL BURRS AND SHARP EDGES	(X.XXX) DENOTES CRITICAL DIMS. ALL THREADS ARE CRITICAL

COPYRIGHT 2005 BRASSTECH, INC.  
THESE DRAWINGS AND THE DESIGNS  
DEPICTED HEREIN ARE THE PROPRIETARY  
PROPERTY OF BRASSTECH. ANY USE  
OR REPRODUCTION IS SUBJECT TO  
THE EXPRESS APPROVAL OF BRASSTECH.  
UNAUTHORIZED USE IS STRICTLY  
PROHIBITED. ALL RIGHTS RESERVED.

**BRASSTECH** 2001 CARNEGIE AVE.  
INCORPORATED SANTA ANA, CA 92705  
(949) 417-5207

6" THROAT WITH 4" IPS  
OUTLET

DWG NO. 277-06

SCALE .175 REF. - SHEET 1 OF 2

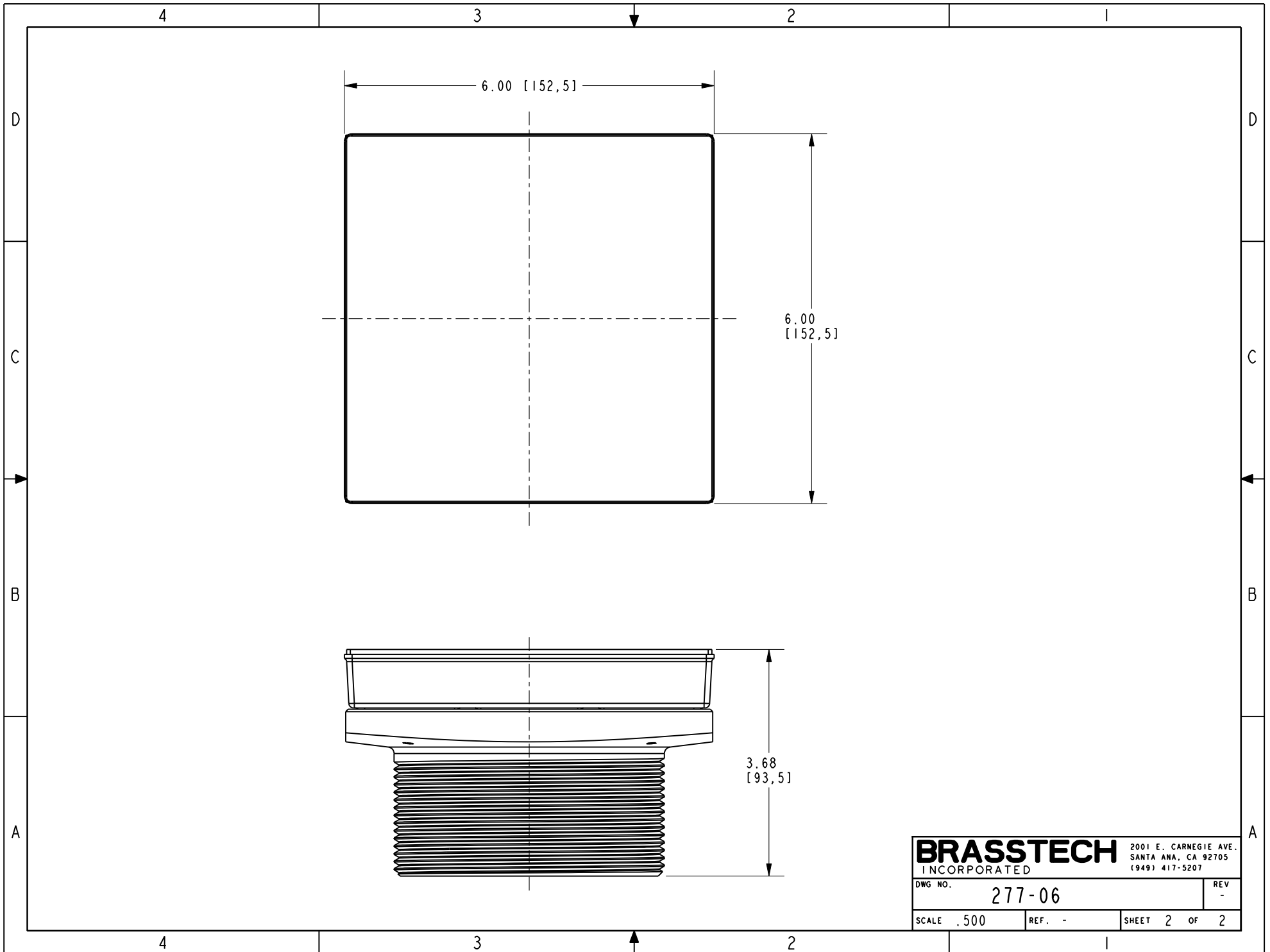
ZONE	REV	DESCRIPTION	DATE	APPROVED
-	-	EN-3875	08/19/19	J.M.

4

3

2

1



<b>BRASSTECH</b>		2001 E. CARNEGIE AVE.	
INCORPORATED		SANTA ANA, CA 92705	
DWG NO. 277-06		REV -	
SCALE .500	REF. -	SHEET 2 OF 2	