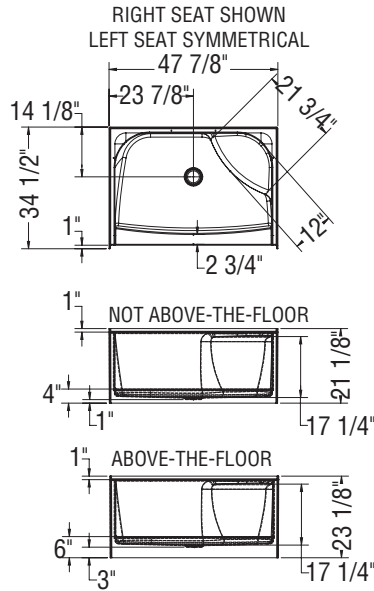
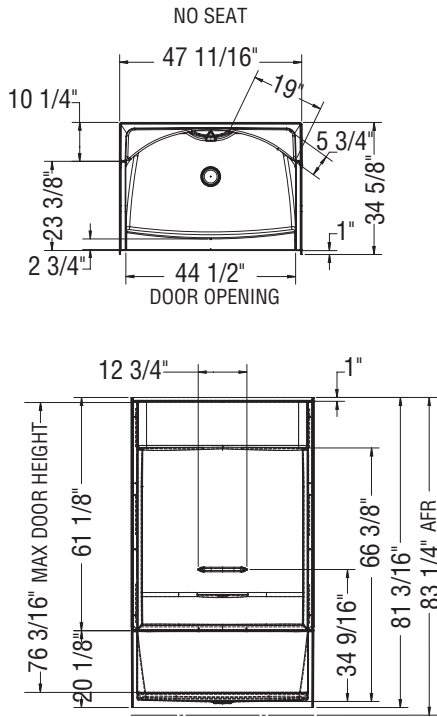
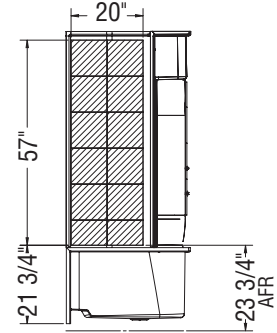


STANDARD

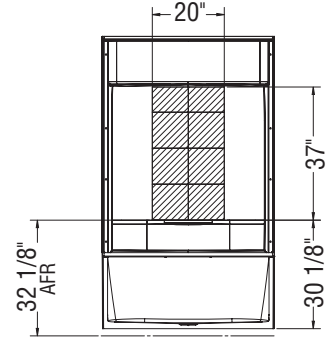


REINFORCEMENT BACKING

OPTION 20212-R RIGHT WALL SHOWN
OPTION 20212-L LEFT WALL SYMMETRICAL

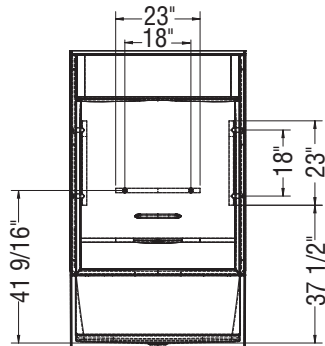


OPTION 20212-B BACK WALL

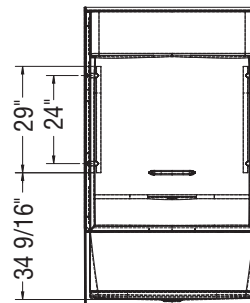


GRAB BARS

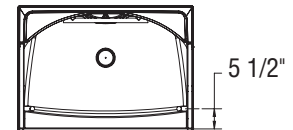
OPTION 20203



OPTION 20204



OPTION
20203-20204



All dimensions are approximate. Structure measurements must be verified against the unit to ensure proper fit.
*Dimensions indicated on product pages exclude tiling flanges.