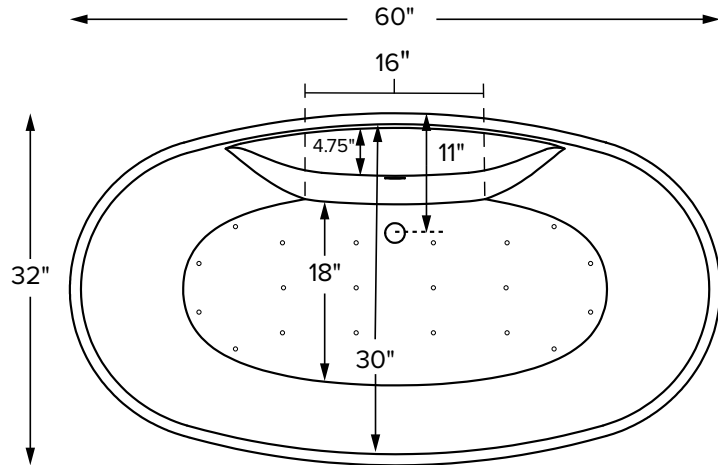


Loretta 3



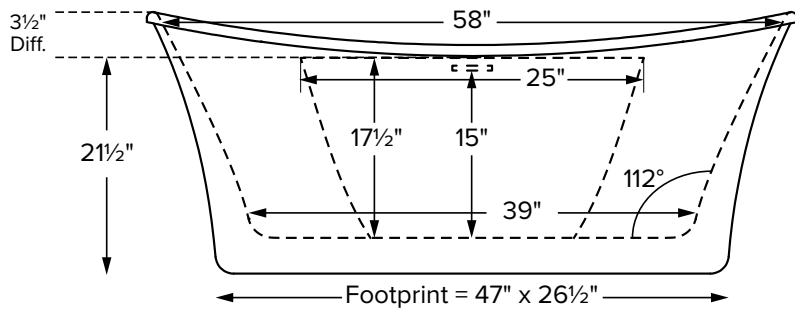
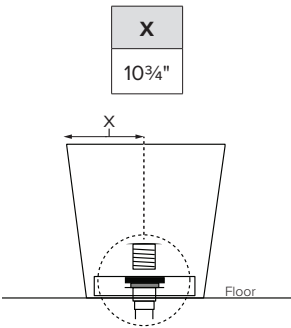
Features an integrated slotted overflow

MODEL 265	
60" x 32" x 21.5"	
FREESTANDING 67 gal to overflow	
Acrylic CXL®	DoloMatte®
120 lbs / 54 kg	<SOAKER> 135 lbs / 61 kg
Filling this tub to the maximum may require an above average size or dedicated water heater.	



Shown with Air Massage Package.

Drain Rough-In Measurement



Magnetic Access panel 15" x 15"



**ELECTRICAL COMPONENTS & SPECIFICATIONS**

Hydrotherapy Package	Components Included	110V GFCI
Air Massage	heated blower	1-15 amp
Air Massage Elite	heated blower, chromatherapy	1-15 amp

Electrical requirements may change with the addition of optional therapy components.  
See specific option details or installation information.  
CSA Certified C/US; B45.5/IAPMO ANSI Z124.1 and ANSI 112.19.7

See the Installation & Operation Manual for more details.  
MTI's Customer Service: Monday-Friday 8am-6pm EST  
**800-783-8827** or [service@mtibaths.com](mailto:service@mtibaths.com)

**IMPORTANT ORDERING & INSTALLATION INFORMATION:**

- Before ordering or installing, please consider future access to equipment.
- Comes equipped with an magnetic access panel on the drain side for installation of the valves and toe tap drain.
- This tub cannot be ordered without an access panel.
- Air baths require job site preparations for remote mounting the blower.
- Hydrotherapy equipment may ship loose for remote installation depending on tub model. See package content on the following page for details.
- Radiance placed on floor locations will affect placement of air jets.
- All tubs are in accordance with CSA B45.5/IAPMO Z124 standard and compliant with ASTM C 1028-07 coefficient of friction. DoloMatte meets ANSI A137.1/A326.3 coefficient of friction and AS HB198:2014 pendulum slip resistance testing.

- Before discarding tub packaging, check for accessories that may be packaged inside.
- All product measurements are ±1/2".
- Specifications and configurations are subject to change without notice.
- Measurements herein supersede all others published prior to publication date below.



For more information on options and accessories go to Acrylic CXL / DoloMatte Tub Options on [mtibaths.com](http://mtibaths.com)

## Designer Collection Tubs

- Airbath blower and keypad ship loose for remote installation on site.
- Secondary remote check valve must be installed higher than the rim of the tub.
- See the Installation & Operation Manual for more details.

**Loretta 3**  
MODEL 265  
60" x 32" x 21.5"

Hydrotherapy Packages	Package Contents	Acrylic CXL®		DoloMatte®	
		Part #	MSRP	Part #	MSRP
Soaker	Soaking bath - no jets; includes a pre-leveled foam base and integrated slotted overflow with toe-tap drain kit in chrome.	<b>S265</b>	<b>\$5,650</b>	<b>S265DM</b>	<b>\$6,370</b>
Air Massage	20 air jets, heated air blower, pre-leveled foam base and integrated slotted overflow with toe-tap drain kit in chrome. Blower, control boxes, and keypad must be remote located.	<b>AST265</b>	<b>\$8,935</b>	<b>AST265DM</b>	<b>\$9,655</b>
Air Massage Elite	30 air jets, heated air blower, Chromatherapy LED lighting, Spa Mode, pre-leveled foam base. and integrated slotted overflow with toe-tap drain kit in chrome. Blower, control boxes, and Spa Mode keypad must be remote located.	<b>AE265</b>	<b>\$10,645</b>	<b>AE265DM</b>	<b>\$11,365</b>

### RECOMMENDED SENSORY THERAPIES

#### Chromatherapy

(LE) **\$800** underwater lighting  
2 LED lights included

#### Audiotherapy

(STEREOBT) **\$1,390** 2 transducers  
with bluetooth and amplifier  
(BTREMOTE) **\$600** bluetooth remote

(STEREOH202) **\$1,575** 4 transducers  
amplifier not included

#### Thermltherapy

(RAD100) **\$1,595** Radiance®  
2 heated zones included

#### Options *Must be ordered at time of purchase*

**Standard Colors** White (CWH) DoloMatte available in matte white only.  
Biscuit (CBS) Not available for DoloMatte.

**Quick Ship** reduces lead time (QSPRI) **\$430**  
*Please call for availability*

**Textured Bottom** (TXTBTM) Acrylic CXL® only **\$105**  
DoloMatte® exceeds ANSI A137.1/A326.3 and AS HB198 slip tests.

**Virtual Spout** high-flow integrated tub filler (FPMJ) **\$450**

#### Accessories

**Pillows** from **\$180**

**Teak Bath Mat** (TKMAT3018) **\$815**

*Custom sizes also available. Contact MTI for details and pricing.*

#### Drains & Overflow Kits *Must be ordered at time of purchase*

##### Integrated Overflow with Toe Tap

###### Slotted Overflow

PVC drain - Chrome (SLOTIOC) included

###### Finish Upcharge

White (SLOTIOWHU) **\$65**

Brushed Nickel (SLOTIOBNU) **\$65**

Polished Nickel (SLOTIOPNU) **\$105**

**Brass Tailpiece** (WIOBS) **\$85**  
*May be ordered separately*

**Quick Connect Drain** - (WOQ) **\$460**

