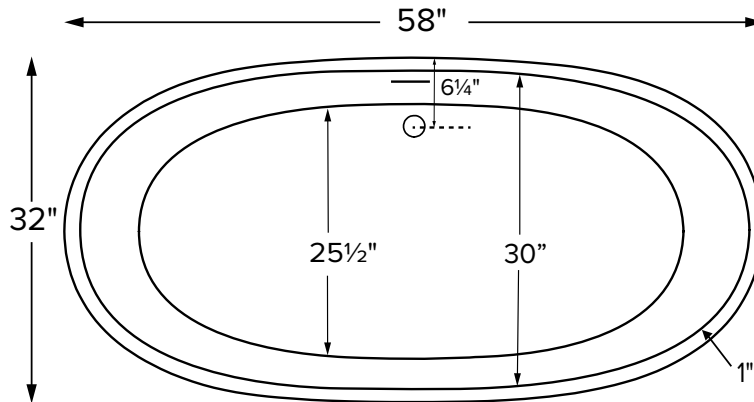


Elena Soaker with Cradle

MODEL 245C
245CR 58" x 32" x 27.75" 245CF 58" x 32" x 26.75"
FREESTANDING 75 gal to overflow
SculptureStone®
280 lbs / 127 kg soaker
Filling this tub to the maximum may require an above average size or dedicated water heater.



Features an integrated overflow and black powder-coated steel cradle with matching decorative tailpiece for drain connection.

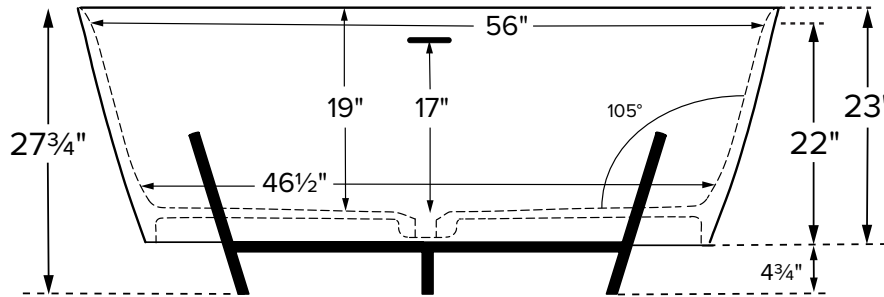


Half-Rolled Rim

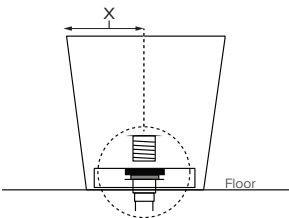


Flat Rim
(reduces overall height by 1")

Elena #245 is available with a half-rolled or flat rim. Tub height will vary based upon features selected.



Drain Rough-In Measurement



Tailpiece for drain connection comes color-matched to cradle.

ELECTRICAL COMPONENTS & SPECIFICATIONS

Hydrotherapy Package

Cradle tubs available as Soaker only

Electrical requirements may change with the addition of optional therapy components. See specific option details or installation information. CSA Certified C/US; ANSI Z124.1 and ANSI 112.19.7

See the Installation & Operation Manual for more details. MTI's Customer Service: Monday-Friday 8am-6pm EST **800-783-8827** or service@mtibaths.com

IMPORTANT ORDERING & INSTALLATION INFORMATION

- Includes an integrated overflow with toe tap drain in chrome finish. May be specified without an overflow (see local codes before ordering without an overflow).
- Includes decorative tailpiece color-matched to tub cradle.
- Additional cradle colors available based on the universal RAL color chart; see ralcolor.com. Provide RAL color code on order. Extended lead time may apply.
- Air baths require job site preparation for remote installation of the blower and required check valve. Check valve must be installed higher than the rim of the tub.
- Waterproof remote control included with air bath. Keypad shipped loose may be remote mounted on nearby surface/wall.
- Faucet valves cannot be mounted on this tub model.

- Before discarding tub crate, check for accessories that may be packaged inside.
- All product measurements are ±1/2".
- Specifications and configurations are subject to change without notice.
- Measurements herein supersede all others published prior to publication date below.



For more information on options and accessories go to SculptureStone® Tubs Options on mtibaths.com

Elena Soaker with Cradle

MODEL #: 245C

245CR 58" x 32" x 27.75"

245CF 58" x 32" x 26.75"

Hydrotherapy	Package Contents	Part #	MSRP
Soaker	Soaking bath - no jets. Includes integrated slotted overflow with an integrated slotted overflow with a toe-tap drain kit and black tailpiece with rosette floor escutcheon and black powder-coated tub cradle. Notes: • Overall height with cradle and half-rolled rim is 27¾." • Custom colors available for cradle; tailpiece comes matched to cradle	S245CR (Half-Rolled Rim)	\$10,480
		S245CF (Flat Rim)	

See Elena without cradle for air bath option, model #245.

Options <small>Must be ordered at time of purchase</small>
Quick Ship (QSPRI2) \$1,025 reduces lead time <i>Please call for availability</i>
Standard Color White, matte finish Biscuit Color Upgrade (SSBI) \$310 matte finish <i>Additional material colors available for projects only. Please call MTI.</i>
Hand-Polished Deep Gloss Finish (SSGLOSS) \$1,085 upcharge For white or biscuit
Exterior Color \$1,760 (SSCOLTG) Gloss Finish (SSCOLTM) Matte Finish Must specify color code: Sapphire Blue (SB), Blue Lagoon (BL), Terracotta (TC), Onyx (OX), Stratus Gray (TG), Stormgray (SG) <i>Adds 20 business days to standard lead time</i>
Accessories
Teak Bath Mat (TKMAT3018) \$815 Measures 30" x 17.5" x 1" <i>Custom sizes also available. Contact MTI for details.</i>
Floor-Mounted High-Flow Tub Filler Contemporary Chrome (FILLC) \$1,480 Brushed Nickel (FILLBN) \$1,710
SculptureStone® Tub Tray Without Stemware Holder (SSTRAY1) \$340 With Stemware Holder (SSTRAY2) \$450 <i>Color and finish will come matched with tub</i>
Teak Tub Tray Slatted (TK-TRAY1) \$500 Solid (TK-TRAY2) \$570 <i>Order with tub for best fit</i>

Drains & Overflow Kits Must be ordered at time of purchase

Toe Tap Drain Cover Finishes

- PVC drain - Chrome included
- +\$50** upcharge Br. Nickel (WIOBN), Pol. Nickel (WIOPN)
- +\$85** upcharge Matte Black (WIOBM)
- +\$105** upcharge Oil-Rubbed Bronze* (WIOOR)
- +\$640** upcharge Special Finish* (WIOSF)
- Send finish sample to MTI Baths for best match.*

Toe Tap SculptureStone® Drain Cover Finishes

- Upgrade is in lieu of standard chrome to tap drain cover.
- White only
- +\$90** upcharge Matte Finish (SSWIOMT)
- +\$110** upcharge Gloss Finish (SSWIOGL)
- Brass Tailpiece** (WIOBS) **\$85** in addition to finish charge listed above
- Quick Drain Kit** (WOQ) **\$460**

Boutique Accessories	
Packaging / Handling Fee Applies	
SculptureStone® Bathroom Table (TABLE) \$825 matte finish +\$410 gloss finish upcharge (SSGLOSSNK) <i>Order with tub for best color match</i>	
SculptureStone® Standard Faucet Stand	
Small - 3-hole capacity 14¼" w x 20½" h Matte (STAND) \$725	Large - 5-hole capacity 22" w x 21½" h Matte (STANDL) \$855
+\$410 gloss finish upcharge (SSGLOSSNK)	
SculptureStone® Premium Faucet Stand	
15" w x 39" h	10" w x 39" h
Matte (SSFSR3915MT) \$2,365	Matte (SSFSR3910MT) \$2,135
Gloss (SSFSR3915GL) \$2,720	Gloss (SSFSR3910GL) \$2,525
20" w x 23" h	15" w x 23" h
Matte (SSFSR2320MT) \$1,930	Matte (SSFSR2315MT) \$1,825
Gloss (SSFSR2320GL) \$2,315	Gloss (SSFSR2315GL) \$2,180

* MTI has selected an oil-rubbed bronze finish that is compatible with Delta and many other manufacturers. To ensure best match, order as a Special Finish and submit a sample.

CSA # MTCT-245C

©2023 by MTI Baths, Inc. Modification Rights Reserved

* Allow 2-4 weeks lead time for Special Finishes. Send sample for best match.

