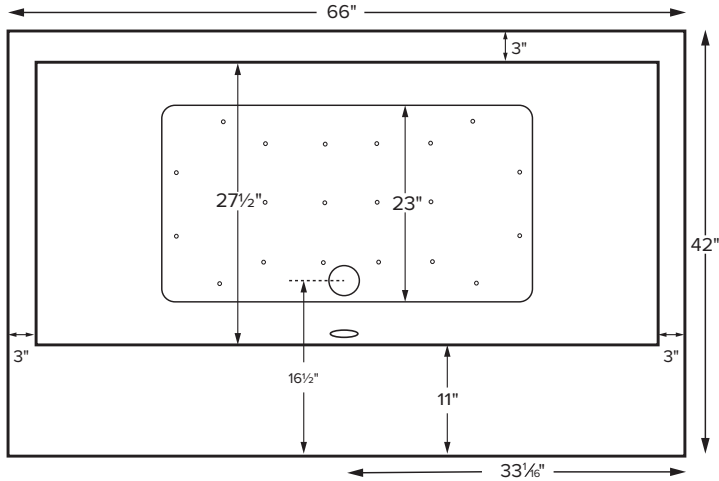




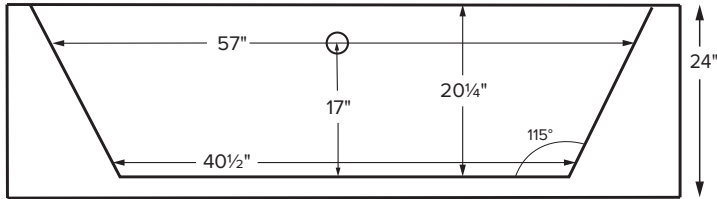
Available as a freestanding model or finished on 1, 2 or 3 sides for various installation applications.

**Metro 3**  
with Sculpted Finish®

<b>MODEL 175A</b>	
<b>66 x 42" x 24"</b>	
FREESTANDING or ALCOVE <i>Not recommended as a tub/shower combination</i> 80 gal to overflow	
<b>Acrylic CXL®</b>	<b>DoloMatte®</b>
160 lbs / 73 kg	<SOAKER> 180 lbs / 82 kg
Filling this tub to the maximum may require an above average size or dedicated water heater.	



Features a flat 11" deck surface on the drain side for mounting faucetry. Drain kit sold separately. Shown as Air Bath



ELECTRICAL COMPONENTS & SPECIFICATIONS		
Hydrotherapy Package	Components Included	GFCI/110V
<b>Microbubbles</b>	Microbubbles pump	1-15 amp
<b>Air Massage</b>	heated blower	1-15 amp
<b>Microbubbles with Air</b>	Microbubbles pump, heated blower	1-20 amp
<b>Air Massage Elite</b>	heated blower, chromatherapy	1-15 amp
<b>Microbubbles with Air Elite</b>	Microbubbles pump, heated blower, chromatherapy	2-15 amp

Electrical requirements may change with the addition of optional therapy components. See specific option details or installation information, CSA Certified C/US; B45.5/IAPMO ANSI Z124.1 and ANSI 112.19.7

See the Installation & Operation Manual for more details.  
MTI's Customer Service: Monday-Friday 8am-6pm EST  
**800-783-8827** or [service@mtibaths.com](mailto:service@mtibaths.com)

**IMPORTANT ORDERING & INSTALLATION INFORMATION**

- Before ordering or installing, please consider future access to equipment.
- Unless ordering Sculpted Finish on 4 sides, please include a diagram specifying which sides will need to be finished, along with location of optional tile flange(s).
- Drain is not included with this tub model.
- When ordering an air bath, the air blower must be remote mounted.
- Microbubbles system components must be installed on a non-Sculpted Finish side. Components will extend beyond the perimeter of the tub. Call MTI for specific details regarding the desired installation before placing the order.
- Radiance placed on floor locations will affect placement of air jets.
- Hydrotherapy equipment may ship loose for remote installation. See package content on the following page for details. Specifications and configurations are subject to change without notice.
- All tubs are compliant with ASTM C 1028-07 coefficient of friction. DoloMatte meets ANSI A137.1/A326.3 coefficient of friction and AS HB198:2014 slip tests.

• Options and accessories may be packaged inside the tub crate. Always check packaging before discarding.  
• All product measurements are ±1/2".  
• Specifications and configurations are subject to change without notice.  
• Measurements herein supersede all others published prior to publication date below.



For more information on hydrotherapy packages please visit: [mtibaths.com/wellness/](http://mtibaths.com/wellness/)

**Metro 3**  
with Sculpted Finish®  
MODEL 175A  
66 x 42" x 24"

Hydrotherapy Packages	Package Contents	Sculpted Finish Sides	Acrylic CXL®		DoloMatte®	
			Part #	MSRP	Part #	MSRP
Soaker	Soaking bath - no jets, pre-leveled foam base	4-sides sculpted	<b>S175A4</b>	<b>\$8,575</b>	<b>S175D4</b>	<b>\$9,655</b>
		3-sides sculpted	<b>S175A3</b>	<b>\$7,930</b>	<b>S175D3</b>	<b>\$8,875</b>
		2-sides sculpted	<b>S175A2</b>	<b>\$6,395</b>	<b>S175D2</b>	<b>\$7,205</b>
		1-side sculpted	<b>S175A1</b>	<b>\$6,020</b>	<b>S175D1</b>	<b>\$6,695</b>
Microbubbles	1 infusion port, microbubbles pump, pre-leveled foam base	4-sides sculpted	n/a	n/a	n/a	n/a
		3-sides sculpted	<b>M175A3</b>	<b>\$15,285</b>	<b>M175D3</b>	<b>\$15,690</b>
		2-sides sculpted	<b>M175A2</b>	<b>\$12,130</b>	<b>M175D2</b>	<b>\$12,400</b>
		1-side sculpted	<b>M175A1</b>	<b>\$9,010</b>	<b>M175D1</b>	<b>\$9,145</b>
Air Massage	20 air jets, heated air blower, pre-leveled foam base	4-sides sculpted	<b>AST175A4</b>	<b>\$11,860</b>	<b>AST175D4</b>	<b>\$12,940</b>
		3-sides sculpted	<b>AST175A3</b>	<b>\$11,215</b>	<b>AST175D3</b>	<b>\$12,160</b>
		2-sides sculpted	<b>AST175A2</b>	<b>\$9,680</b>	<b>AST175D2</b>	<b>\$10,490</b>
		1-side sculpted	<b>AST175A1</b>	<b>\$9,305</b>	<b>AST175D1</b>	<b>\$9,980</b>
Air Massage Elite	30 air jets, heated air blower, Chromatherapy LED lighting, Spa Mode, pre-leveled foam base	4-sides sculpted	<b>AE175A4</b>	<b>\$13,570</b>	<b>AE175D4</b>	<b>\$14,650</b>
		3-sides sculpted	<b>AE175A3</b>	<b>\$12,925</b>	<b>AE175D3</b>	<b>\$13,870</b>
		2-sides sculpted	<b>AE175A2</b>	<b>\$11,390</b>	<b>AE175D2</b>	<b>\$12,200</b>
		1-side sculpted	<b>AE175A1</b>	<b>\$11,015</b>	<b>AE175D1</b>	<b>\$11,690</b>
Microbubbles with Air Massage	1 infusion port, microbubbles pump, 20 air jets, heated air blower, pre-leveled foam base	4-sides sculpted	n/a	n/a	n/a	n/a
		3-sides sculpted	<b>ASTM175A3</b>	<b>\$13,665</b>	<b>ASTM175D3</b>	<b>\$14,610</b>
		2-sides sculpted	<b>ASTM175A2</b>	<b>\$12,130</b>	<b>ASTM175D2</b>	<b>\$12,940</b>
		1-side sculpted	<b>ASTM175A1</b>	<b>\$11,755</b>	<b>ASTM175D1</b>	<b>\$12,430</b>
Microbubbles with Air Massage Elite	1 infusion port, microbubbles pump, 30 air jets, heated air blower, Chromatherapy LED lighting, Spa Mode, pre-leveled foam base	4-sides sculpted	n/a	n/a	n/a	n/a
		3-sides sculpted	<b>AEM175A3</b>	<b>\$15,285</b>	<b>AEM175D3</b>	<b>\$16,230</b>
		2-sides sculpted	<b>AEM175A2</b>	<b>\$13,750</b>	<b>AEM175D2</b>	<b>\$14,560</b>
		1-side sculpted	<b>AEM175A1</b>	<b>\$13,375</b>	<b>AEM175D1</b>	<b>\$14,050</b>

**Microbubbles system components must be installed on a non-Sculpted Finish® side.**

**Components will extend beyond the perimeter of the tub. Call MTI for specific details regarding the desired installation before placing order.**

For more customized applications, additional hydrotherapies may possibly be integrated in Sculpted Finish® tubs, depending on the types of therapy and the installation application. Visit [mtibaths.com](http://mtibaths.com) or call MTI at 800.783.8827.

RECOMMENDED SENSORY THERAPIES

**Chromatherapy**

(LE) **\$800** underwater lighting  
2 LED lights included

**Audiotherapy**

(STEREOBT) **\$1,390** 2 transducers with bluetooth and amplifier  
(BTREMOTE) **\$600** bluetooth remote

(STEREOH202) **\$1,575** 4 transducers  
amplifier not included

**Thermaltherapy**

(RAD100) **\$1,595** Radiance®  
2 heated zones included  
Zones may be specified on Metro tub deck.



For more information on options and accessories go to Acrylic Tub Options on mtibaths.com

Metro 3 with Sculpted Finish®  
MODEL 175A

<b>Options</b> <i>Must be ordered at time of purchase.</i>	
<b>Standard Color</b> White (CWH) gloss Acrylic CXL, matte DoloMatte	
<b>Textured, Slip-Resistant Bottom</b> (TXTBTM) <b>\$105</b> DoloMatte® exceeds ANSI A137.1/A326.3 and AS HB198 slip tests.	
<b>Ozonator</b> (OZONE) <b>\$515</b>	
<b>Virtual Spout</b> high-flow integrated tub filler (FPMJ) <b>\$450</b> <i>Must be located on same side as tub deck. Specify location when ordering.</i>	
<b>Installation Options</b> <i>Must be ordered at time of purchase.</i>	
<b>Tile Flange</b>	
Factory Installed rigid ABS	<b>IMPORTANT:</b> <i>Must specify flange location(s) on order of Factory-Installed Flange.</i>
1 Side (TFK1) <b>\$175</b>	
2 Sides (TFK2) <b>\$185</b>	
3 Sides (TFK3) <b>\$200</b>	
Field Install Kit (TFKNI) <b>\$185</b>	
Includes rigid ABS & adhesive	

<b>Accessories</b>	
<b>Pillows</b> from <b>\$180</b>	
<b>Teak Bath Mat</b> (TKMAT3018) <b>\$815</b> <i>Custom sizes also available. Contact MTI for details and pricing.</i>	
<b>Teak Tub Tray</b>	
Slatted (TK-TRAY1) <b>\$500</b>	Solid (TK-TRAY2) <b>\$570</b>
<b>Floor-Mounted High-Flow Tub Filler</b>	
Contemporary	
Chrome (FILLC) <b>\$1,480</b>	
Brushed Nickel (FILLBN) <b>\$1,710</b>	

**Drains & Overflow Kits** *Toe Tap Rectangular Overflow must be ordered at time of purchase*

<b>Cable Driven</b>	<b>Drain Finishes</b> – PVC Drain Kit
	White/Bone/Biscuit (WOCDDW) <b>\$440</b>
	Chrome (WOC) <b>\$410</b>
	Brushed Nickel (WOCDBN) <b>\$490</b>
	Polished Nickel (WOCDPN) <b>\$540</b>
	Oil-Rubbed Bronze+ (WOCDDOR) <b>\$550</b>
	Polished Brass (WOCDBR) <b>\$690</b>
	Special Finishes* (WOCDSF) <b>\$1,135</b>
	<i>MTI does not offer a brass body cable drain kit.</i>
<b>Lift &amp; Turn</b>	<b>Drain Finishes</b> – PVC Drain Kit
	Chrome (WOC) <b>\$185</b>
	White (WOW) <b>\$245</b>
	Brushed Nickel (WOBN) <b>\$305</b>

<b>Toe Tap</b>	<b>Round Overflow</b> – PVC Drain Kit
	Chrome (WOTTC) <b>\$380</b>
	Brushed Nickel (WOTTBN) <b>\$385</b>
	Polished Nickel (WOTTPN) <b>\$385</b>
	Special Finishes* (WOTTSF) <b>\$1,145</b>
	<b>Round Overflow</b> – Solid Brass Drain
	Chrome (WOTTSBC) <b>\$810</b>
	Brushed Nickel (WOTTSBBN) <b>\$810</b>
	Polished Nickel (WOTTSBPN) <b>\$810</b>
	<b>Rectangular Overflow</b> – PVC Drain Kit
	Chrome (WOTRC) <b>\$470</b>
	Brushed Nickel (WOTRBN) <b>\$430</b>
	White (WOTRW) <b>\$525</b>

**Slim-Line Overflow with Toe Tap Drain** *Must be ordered at time of purchase.*

- Low profile overflow is factory installed
- Overflow measures 4.5" x 1"
- Provides a deeper soak
- Not available for commercial applications

<b>Slim-Line Overflow with Toe Tap Drain</b>
PVC Drain
Chrome (SLOT) <b>\$500</b>
Brushed Nickel (SLOTBN) <b>\$530</b>
Polished Nickel (SLOTPN) <b>\$555</b>
White (SLOTW) <b>\$430</b>

<b>Slim-Line Overflow with Toe Tap Drain</b>
Solid Brass Drain
Chrome (SLOTSBC) <b>\$930</b>
Brushed Nickel (SLOTSBBN) <b>\$935</b>
Polished Nickel (SLOTSBPN) <b>\$935</b>
White (SLOTSBW) <b>\$965</b>



Optional Slim-Line overflow

\* MTI has selected an oil-rubbed bronze finish that is compatible with Delta and many other manufacturers. To ensure best match, order as a Special Finish and submit a sample.  
\* Allow 2-4 weeks lead time for Special Finishes. Send sample for best match.

