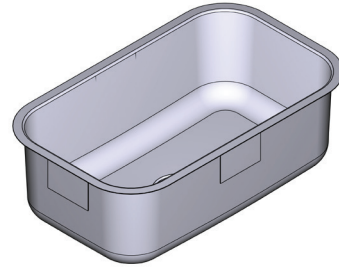


Model Number	Faucet Holes	Depth-Inches	Drain Placement	ADA/FHA Compliant
GS18155	N/A	10"	Center	No
GS18156B	N/A	5-1/2"	Rear (Center)	ADA/FHA



### SINK DESCRIPTION

- Single bowl undermount sink
- 18 gauge stainless steel, brushed finish
- Undermount hardware included
- SoundSHIELD™ sound absorbing system

### WARRANTY

- Lifetime limited warranty to the original homeowner
- 10 year limited warranty when used in a Multi-family installation
- 5 year limited warranty when used in a Commercial installation
- Visit [www.moen.com/customer-support/warranty](http://www.moen.com/customer-support/warranty) for complete details and limitations

### SINK DIMENSIONS

- Minimum Cabinet Size: 33"
- Overall: 30" x 18"
- Bowl: 28" x 16"
- Drain Size: 3-1/2"
- Sink radius: R100

### CUT OUT DIMENSIONS

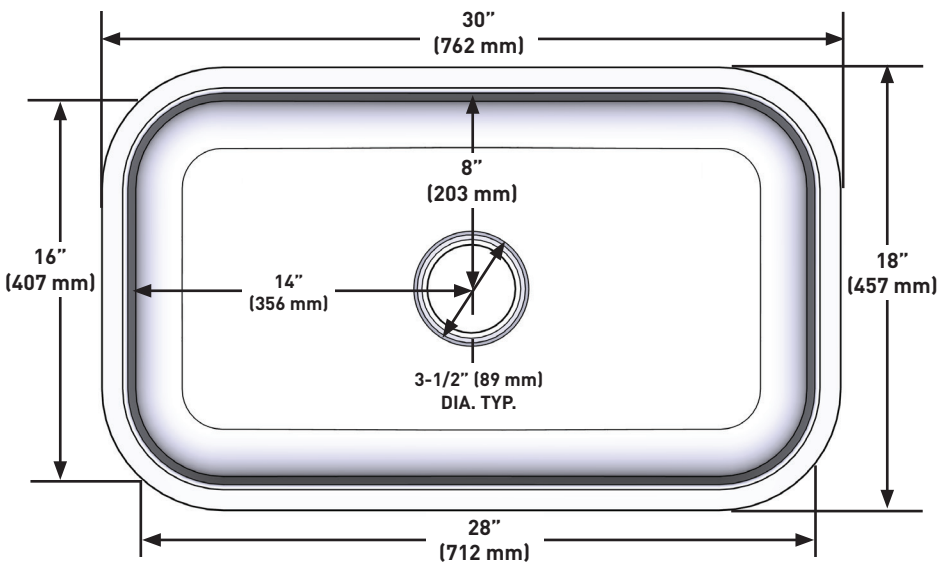
- Cut out template included

### STANDARDS

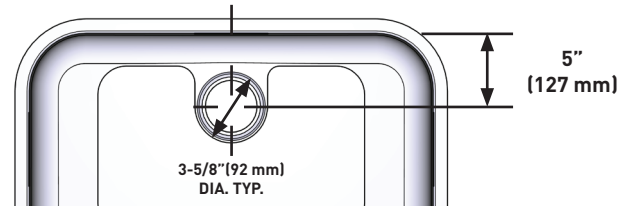
- Third party certified to meet ASME A112.19.3/CSA B45.4 and all applicable specifications referenced therein
- **\*ADA/FHA** Sink compliant to ADA (ICC A117.1) and FHA accessibility specifications when installed to these required standards. Always consult with your local building department for the specific installation requirements.

### CRITICAL DIMENSIONS

(DO NOT SCALE)



### Rear Configuration



### Installation Detail

