

Technical Specification

Hand Towel Bar

BP1886

Stock Numbers:

- **BP1886CH - Hand Towel Bar**
Chrome Finish

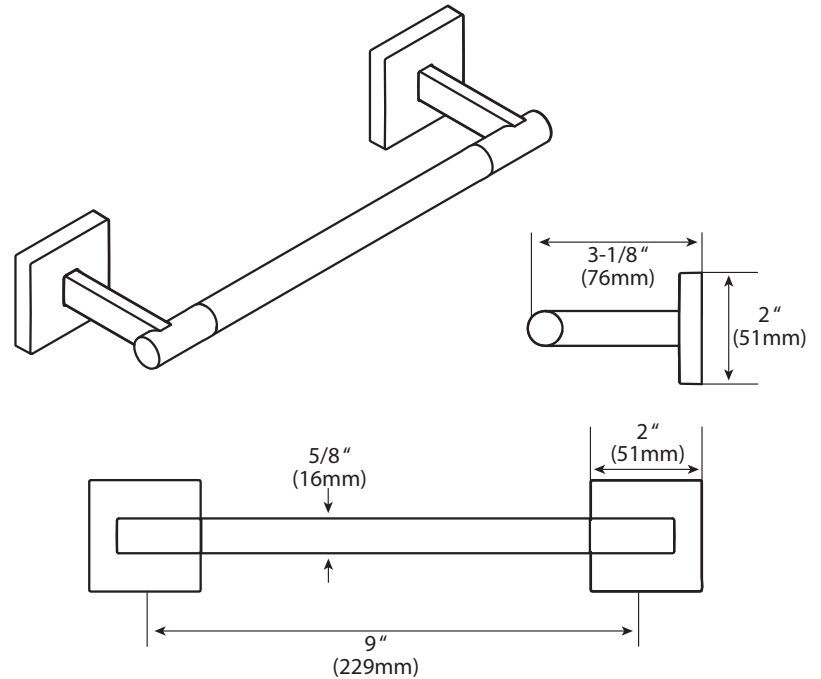
- **BP1886BN - Hand Towel Bar**
Brushed Nickel Finish

- **BP1886BL - Hand Towel Bar**
Matte Black Finish

Materials:

Hand Towel Bar and Posts are constructed of zinc. **Rod** is stainless steel.

Dimensions:



Installation Instructions:

- 1) Position the mounting template on the wall in the desired location.
- 2) Using a level, align the template and tape it to the wall.
- 3) Drill two 5/16" holes at each mounting plate location that corresponds to your product.
- 4) Remove the template from the wall.
- 5) Fold ends of the plastic toggle together and insert into each hole in the wall.
- 6) Lightly tap anchors until flush with the wall.
- 7) One at a time, insert plastic pin into each of the anchors and lightly tap to activate anchor. Remove pin and repeat on all anchors.
- 8) Remove mounting plates from the posts by loosening each setscrew.
- 9) Place the mounting plate on the wall over the installed wall anchors with "UP" facing you.
- 10) Insert screws through the mounting plate into the anchors and tighten.
- 11) Assemble the towel bar and posts.
- 12) While assembled, position each end post with setscrews facing down and place over both mounting plates. Tighten the setscrews.

Cleaning Instructions:

To preserve the fine finish of this product, clean only with a soft damp cloth. Dry well. Do not use commercial or abrasive cleaners.

Stock Number: _____ BP1886 Hand Towel Bar

MOEN®

25300 AL MOEN DRIVE • NORTH OLMSTED, OH 44070
CONSUMER SUPPORT: (800) 289-6636 • FAX: (800) 848-6636
INTERNATIONAL: (440) 962-2000 • FAX: (440) 962-2726
CUSTOMER SERVICE (USA): 800-882-0116 • FAX: (888) 379-2720
WWW.MOEN.COM
© 2019 Moen Incorporated.