

DESCRIPTION

- Non-metallic construction with various finishes identified by suffix
- Double check valve in handle

OPERATION

- Four spray patterns – massage, full, vigorous, and combination

FLOW

- Limited to 1.75 gpm (6.7 L/min) max.

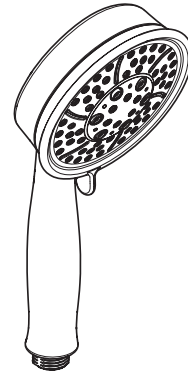
STANDARDS

- Third party certified to WaterSense®, ASME A112.18.1/CSA B-125.1 and all applicable specifications referenced therein

WARRANTY

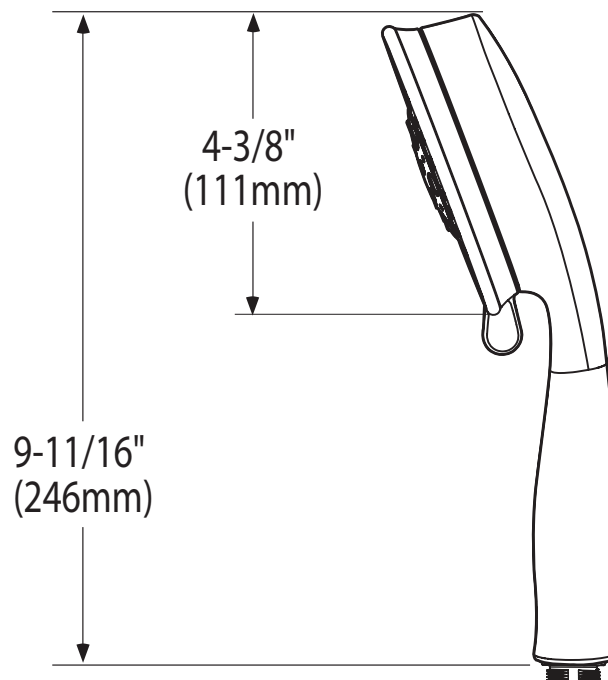
- Lifetime limited warranty against leaks, drips and finish defects to the original homeowner
- 10 year limited warranty when used in a multifamily installation
- 5 year limited warranty when used in a commercial installation

Visit www.moen.com/support for complete details and limitations



HAND SHOWER

Models: 164927 series



CRITICAL DIMENSIONS

(DO NOT SCALE)

FOR MORE INFORMATION: 1-800-BUY-MOEN

www.moen.com