

## Croma

### Showerpipe 150 1-Jet with Tub Filler, 2.0 GPM

Finishes : brushed nickel Part no. : 27143821



#### Description

##### Features

- consists of: Showerhead, Handshower, Thermostatic shower mixer, Handshower hose, Slider
- Flow: 2.0 GPM (7.6 L/Min)
- Outlets may not be operated simultaneously
- Shower outlet flow: 2.0 GPM (7.6 L/min)
- Tub spout flow: 5.0 GPM
- Anti-scald 100° safety stop
- Integrated volume control/diverter for 2 functions
- Exposed installation
- Thermostatic cartridge
- Built-in service stops

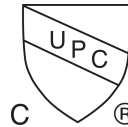
#### Item details

List Price \$ 1,645.00

#### Technology



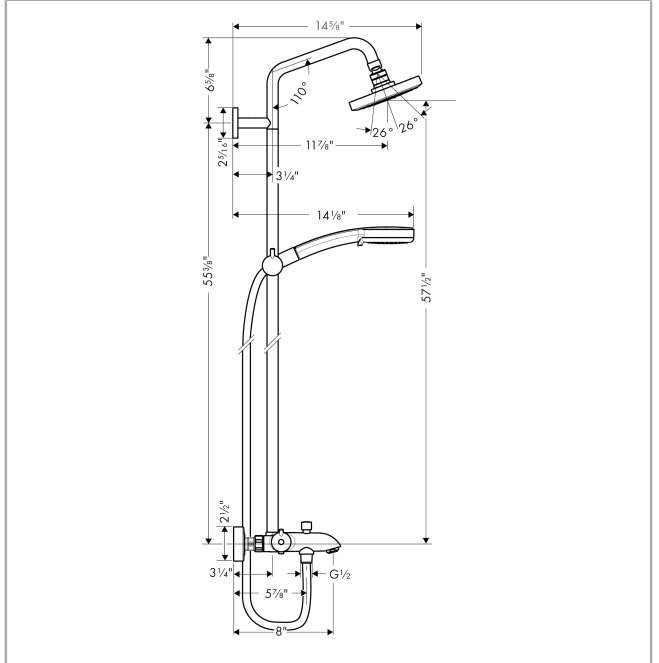
#### Compliance



#### Product image



#### Scale drawing

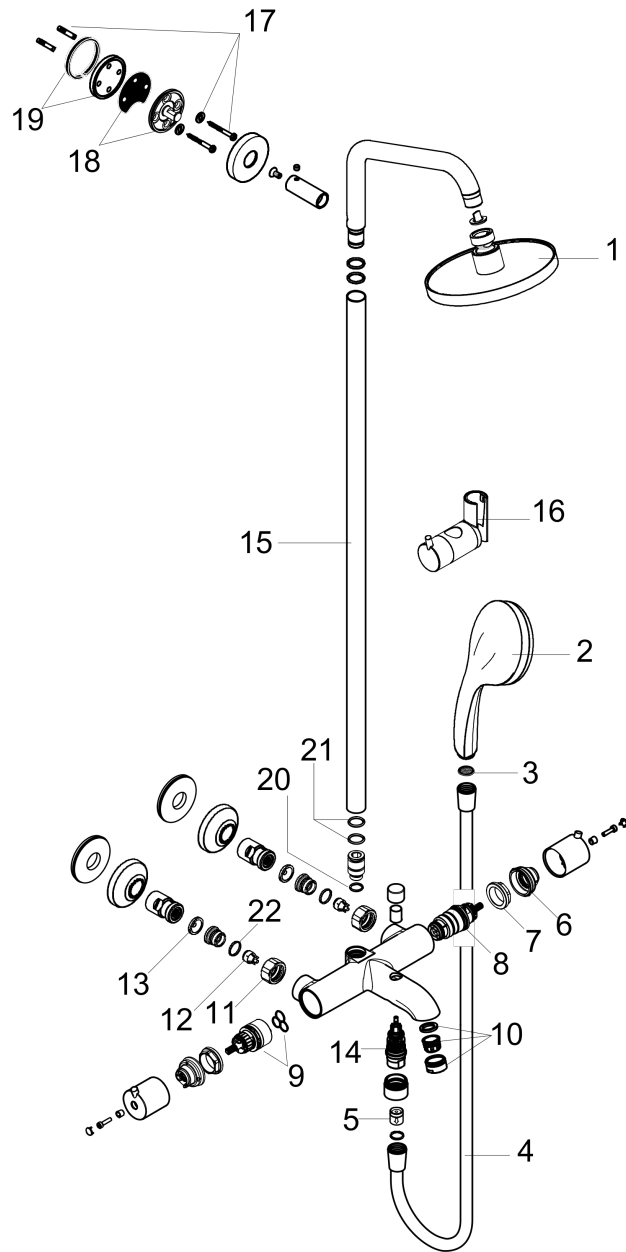


**Croma**  
**Showerpipe 150 1-Jet with Tub Filler, 2.0 GPM**  
 Finishes : **brushed nickel** Part no. : **27143821**



Exploded drawing

Year of production: >07/12



**Croma**

**Showerpipe 150 1-Jet with Tub Filler, 2.0 GPM**

Finishes : **brushed nickel** Part no. : **27143821**



**Spare parts list**

Year of production: >07/12

Pos.	Description	Part no.	Price	PU
1	head shower	04342820	-	1
2	handshower	04083820	-	1
3	filter packing	94246000	-	1
4	shower hose Isiflex'B 2,00 m	28274820	-	1
5	set of non return valves DW 15	94074000	-	1
6	safety set for temperature control	98916000	-	1
7	nut	98913000	-	1
8	thermostat cartridge	98282001	-	1
9	shut off unit with selector	98283000	-	1
10	aerator M24x1 (30 l/min)	96512820	-	1
11	set of nuts	96157820	-	1
12	non return valve	96737000	-	1
13	filter packing	96922000	-	1
14	selector assy	94077000	-	1
15	pipe 1200 mm	95665820	-	1
16	support, assy	97651820	-	1
17	mounting set	96179000	-	1
18	wall flange	95688000	-	1
19	tile-matching-disk	95239820	-	1
20	O-ring 12x2	98214000	-	1
21	O-ring 15x2,5	98131000	-	1
22	O-ring 17x1,5	98137000	-	1
a	sleeve	92166820	-	1
b	sleeve	97738820	-	1
c	diverter knob	96466820	-	1
d	diverter fixing device	97211000	-	1