

**PRODUCT SPECIFICATIONS**

Elkay 8" Centerset with Exposed Deck Faucet with 8" Gooseneck Spout 2" Lever Handles Chrome. Faucet has a flow rate of 1.5 GPM, and is made of Chrome Plated Brass material, with a Quarter Turn Ceramic Disc valve. Faucet requires 3 faucet holes.

|                            |   |
|----------------------------|---|
| <b>Mounting Type:</b>      | Deck Mount  |
| <b>Special Features:</b>   | Low Flow<br>Solid Brass Construction<br>Spout swing restriction pin |
| <b>Finish:</b>             | Chrome (CR)   |
| <b>Handle Type:</b>        | 2" Lever Handle   |
| <b>Deck Clearance:</b>     | 8-1/2"  |
| <b>Spout Reach:</b>        | 8"  |
| <b>Spout Height:</b>       | 14-1/8"   |
| <b>Hole Drillings:</b>     | 3   |
| <b>Material:</b>           | Chrome Plated Brass   |
| <b>Valve Type:</b>         | Quarter Turn Ceramic Disc   |
| <b>Valve Connection:</b>   | 1/2" NPSM Male  |
| <b>Flow Rate:</b>          | 1.5 GPM   |
| <b>Faucet Hole Spread:</b> | 8   |
| <b>Spout Type:</b>         | Gooseneck   |



**AMERICAN PRIDE. A LIFETIME TRADITION.**  
Like your family, the Elkay family has values and traditions that endure. For almost a century, Elkay has been a family-owned and operated company, providing thousands of jobs that support our families and communities.

**Product Compliance:** ADA & ICC A117.1  
ASME A112.18.1/CSA B125.1  
NSF 61  
NSF 372 (lead free)

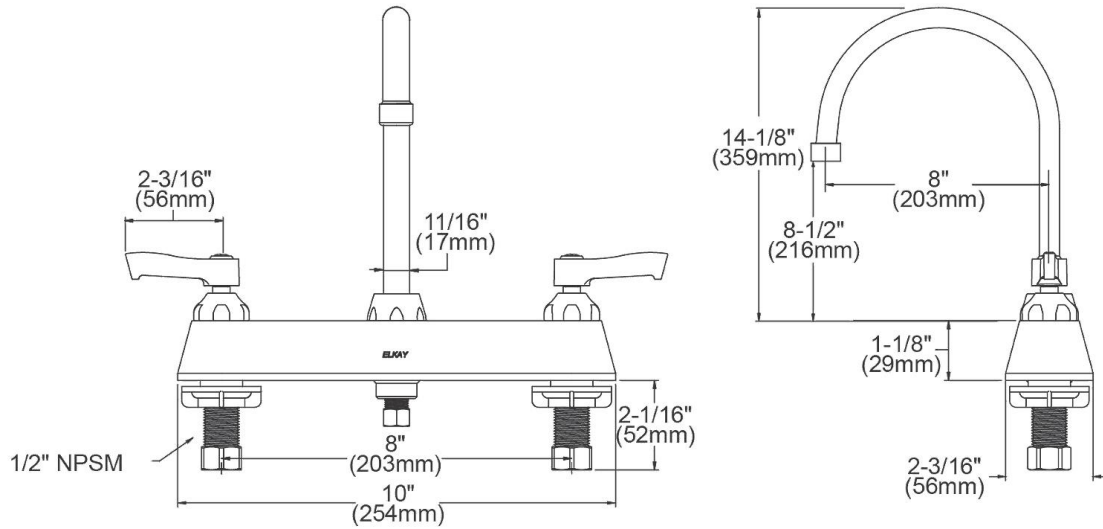


Complies with ADA & ICC A117.1 accessibility requirements when installed according to the requirements outlined in these standards.

[Clean and Care Manual \(PDF\)](#)  
[Installation Instructions \(PDF\)](#)  
[Limited Warranty \(PDF\)](#)

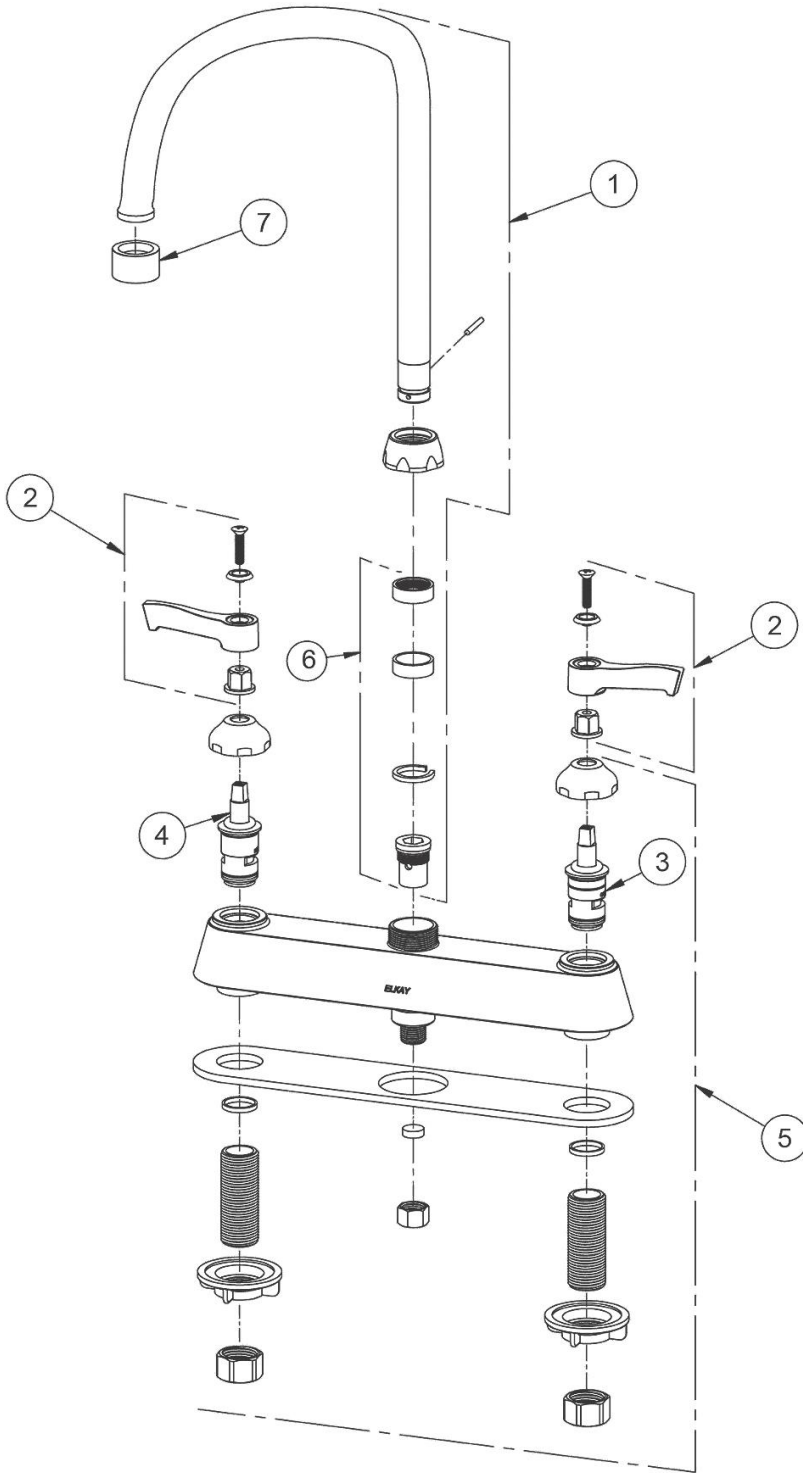
PART: \_\_\_\_\_ QTY: \_\_\_\_\_  
PROJECT: \_\_\_\_\_  
CONTACT: \_\_\_\_\_  
DATE: \_\_\_\_\_  
NOTES: \_\_\_\_\_  
APPROVAL: \_\_\_\_\_

*In keeping with our policy of continuing product improvement, Elkay reserves the right to change product specifications without notice. Please visit [elkay.com](http://elkay.com) for the most current version of Elkay product specification sheets. This specification describes an Elkay product with design, quality, and functional benefits to the user. When making a comparison of other producers' offerings, be certain these features are not overlooked.*



In keeping with our policy of continuing product improvement, Elkay reserves the right to change product specifications without notice. Please visit [elkay.com](http://elkay.com) for the most current version of Elkay product specification sheets. This specification describes an Elkay product with design, quality, and functional benefits to the user. When making a comparison of other producers' offerings, be certain these features are not overlooked.

| ITEM | IND. PART | DESCRIPTION          |
|------|-----------|----------------------|
| 1    | A55403    | Spout                |
| 2    | 45918C    | Handle, 2"           |
| 3    | 45923C    | Right Cold Cartridge |
| 4    | 45924C    | Left Hot Cartridge   |
| 5    | 45914C    | Body                 |
| 6    | 98554C    | Backflow Kit         |
| 7    | LK734     | 2.2 GPM VR Aerator   |



In keeping with our policy of continuing product improvement, Elkay reserves the right to change product specifications without notice. Please visit [elkay.com](http://elkay.com) for the most current version of Elkay product specification sheets. This specification describes an Elkay product with design, quality, and functional benefits to the user. When making a comparison of other producers' offerings, be certain these features are not overlooked.