

PRODUCT SPECIFICATIONS

Elkay Drain Fitting 5-1/2" Stainless Steel Dome / Flat Grid Strainer.
Overall dimensions are 5-5/16" x 5-5/16" x 3-1/4". Made of Chrome Plated Brass.

Material:	Chrome Plated Brass
Finish:	Chrome (CR)
Dimensions:	5-5/16" x 5-5/16" x 3-1/4"
Shipping Weight:	2 lbs.

- Chrome plated brass body drain outlet fitting for 4-15/16" (125mm) opening.
- Field adjustable stainless steel flat grid strainer or dome strainer with 5-5/16"(135mm) O.D. top diameter.
- 3-5/8"(92mm) I.D. x 4"(102mm) O.D. tailpiece.
- Designed to attach to 3"(76mm) I.P.S. pipe utilizing caulk or epoxy.

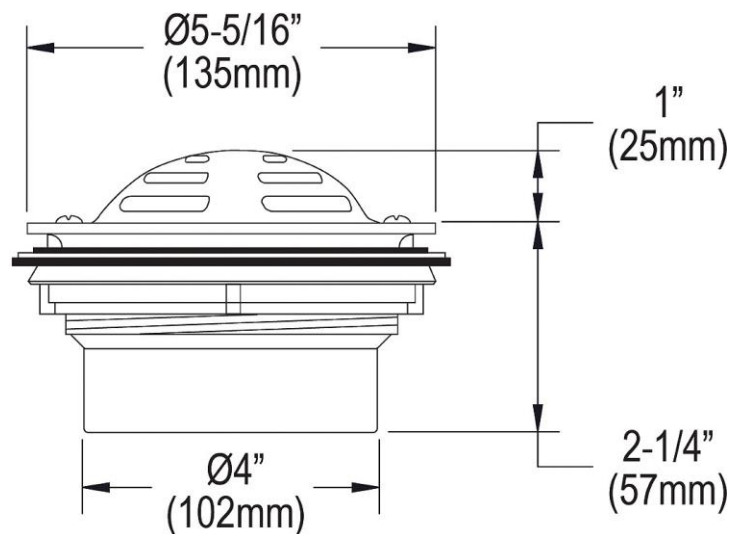


AMERICAN PRIDE. A LIFETIME TRADITION.
Like your family, the Elkay family has values and traditions that endure. For almost a century, Elkay has been a family-owned and operated company, providing thousands of jobs that support our families and communities.



Product Compliance: ASME A112.18.2/CSA B125.2
BUY AMERICAN ACT

[Clean and Care Manual \(PDF\)](#)
[Limited Warranty \(PDF\)](#)



PART: _____ QTY: _____

PROJECT: _____

CONTACT: _____

DATE: _____

NOTES: _____

APPROVAL: _____

In keeping with our policy of continuing product improvement, Elkay reserves the right to change product specifications without notice. Please visit elkay.com for the most current version of Elkay product specification sheets. This specification describes an Elkay product with design, quality, and functional benefits to the user. When making a comparison of other producers' offerings, be certain these features are not overlooked.