

# INSTALLATION INSTRUCTIONS

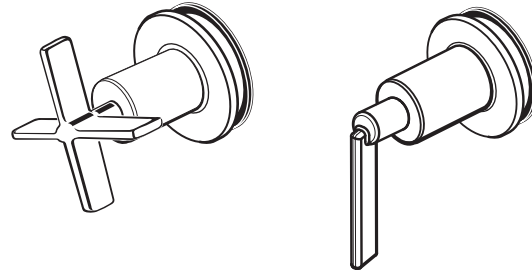
## Percy® Handle Trim Kit for 2 Way or 3 Way In-Wall Diverter



**Cross Handle  
Model D35105434**

**Cylinder Handle  
Model D35105430**

**To be used with  
D35000420.191 - 3/2 Way In-Wall Diverter  
D35000430.191 - 4/3 Way In-Wall Diverter**



*Thank you for selecting DXV. To ensure that your installation proceeds smoothly, please read these instructions carefully before you begin.*

### RECOMMENDED TOOLS AND MATERIALS

Most of the procedures require the use of common tools and materials, which are available from hardware and plumbing supply stores. It is essential that the tools and materials be on hand before work is begun.



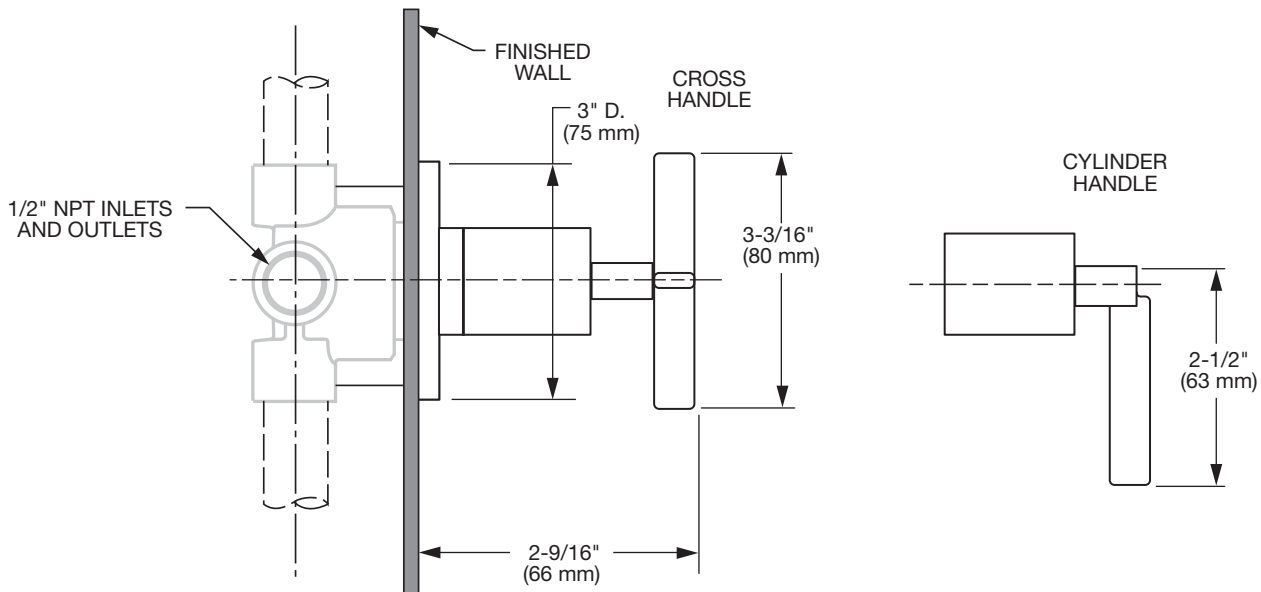
Channel Locks



Adjustable Wrench

### ROUGHING-IN DIMENSIONS:

- For reference



SAVE FOR FUTURE USE

#### In the United States:

DXV  
One Centennial Avenue  
Piscataway, New Jersey 08855  
Attention: Director of Customer Care

For residents of the United States, warranty information may also be obtained by calling the following toll free number: (800) 227-2734  
[www.DXV.com](http://www.DXV.com)

#### In Canada:

DXV  
5900 Avebury Road  
Mississauga, Ontario  
L5R 3M3  
Canada

Toll Free: 1-800-387-0369  
Local: 905-306-1093  
Fax: 1-800-395-1498  
[www.DXV.ca](http://www.DXV.ca)

#### In Mexico:

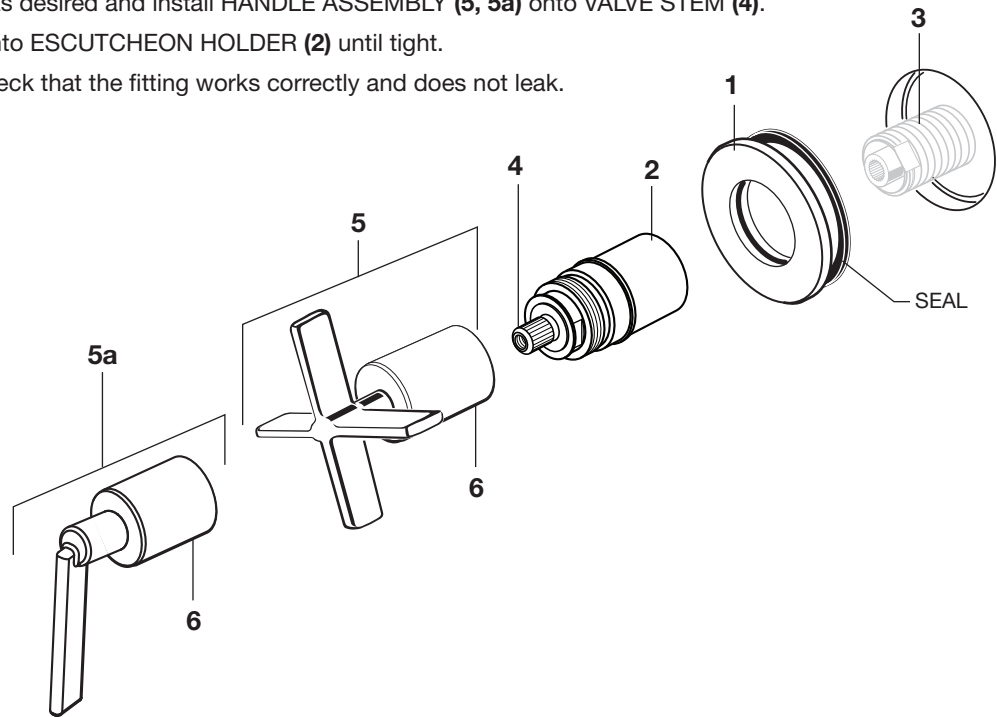
DXV  
Via Morelos 330  
Col. Santa Clara Coatitla  
Ecatepec, Estado de México 55540

Toll Free: 01-800-8391200  
[www.DXV.mx](http://www.DXV.mx)

# 1 INSTALL HANDLE

**CAUTION** Turn off hot and cold water supplies before beginning.

- Install ESCUTCHEON (1) onto ESCUTCHEON HOLDER (2). Thread ESCUTCHEON HOLDER (2) with ESCUTCHEON (1) onto DIVERTER VALVE (3) until ESCUTCHEON (1) is flush against finished wall.
- Align HANDLE as shown or as desired and install HANDLE ASSEMBLY (5, 5a) onto VALVE STEM (4).
- Thread HANDLE BASE (6) onto ESCUTCHEON HOLDER (2) until tight.
- Turn on the water supply. Check that the fitting works correctly and does not leak.



M964750-YYY0A  
ESCUTCHEON KIT

H960835.XXX  
EXTENSION

M964622-YYY0A  
CROSS HANDLE

M964623-YYY0A  
CYLINDER HANDLE

H2749.191  
EXTENSION KIT

## Percy® Handle Trim Kit for 2 Way or 3 Way In-Wall Diverter

MODEL NUMBERS

Cross Handle	D35105434
Cylinder Handle	D35105430

Replace the "YYY" with appropriate finish code

POLISHED CHROME	100
BRUSHED NICKEL	144