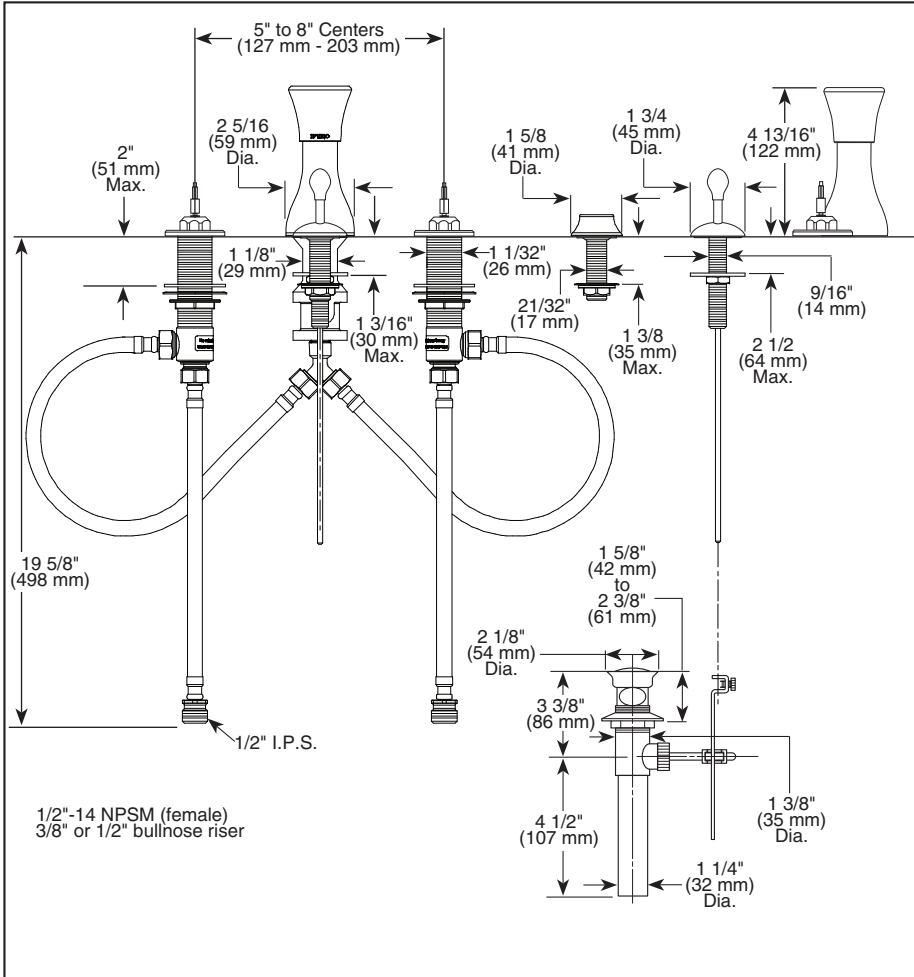


68485-▲LHP

Submitted Model No.: _____

Specific Features: _____

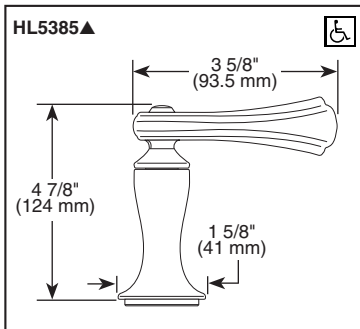


STANDARD SPECIFICATIONS:

- Three handle bidet faucet for exposed mounting on 4 hole applications.
- Widespread 5" to 8" centers.
- Control mechanism shall be of the rotating ceramic cylinder type with 90° (1/4 turn) rotation.
- Metal drain has pop-up type fitting with plated flange and stopper.
- Diverter with integral vacuum breaker.
- Directional handle for rim flush or rosett spray douche.
- LHP - Less Handle Program. See handle options below.

WARRANTY

- Lifetime limited warranty on parts (other than electronic parts and batteries) and finishes: or, for commercial users, for 5 years from date of purchase.
- 5 year limited warranty on electronic parts (other than batteries); or, for commercial users, for 1 year from the date of purchase. No warranty is provided on batteries.



▲ Designate proper finish suffix

COMPLIES WITH:

- ANSI/ASME A112.18.1 / CSA B125.1
- ANSI/ASME A112.18.2 / CSA B125.2
- ☑ Indicates compliance to ICC/ANSI A117.1

BRIZO®

**BIDET
FAUCET**

- Charlotte™ Two Handle
- 4 Hole Applications
- 5" to 8" Centers