

4

3

2

1

BILL OF MATERIAL (CURRENT LEVEL)

ITEM	PT/ASSY	DESCRIPTION	TYPE	QTY.
1	301	P-TRAP 1-1/4 W/O FLANGE	ASSEMBLY	1
2	314	BOX FLANGE 1-1/4	PART	1

D

D

C

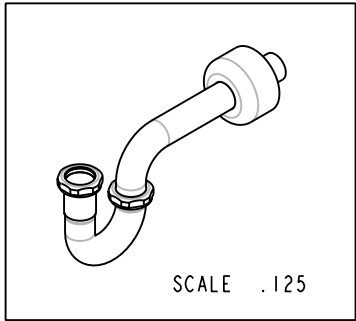
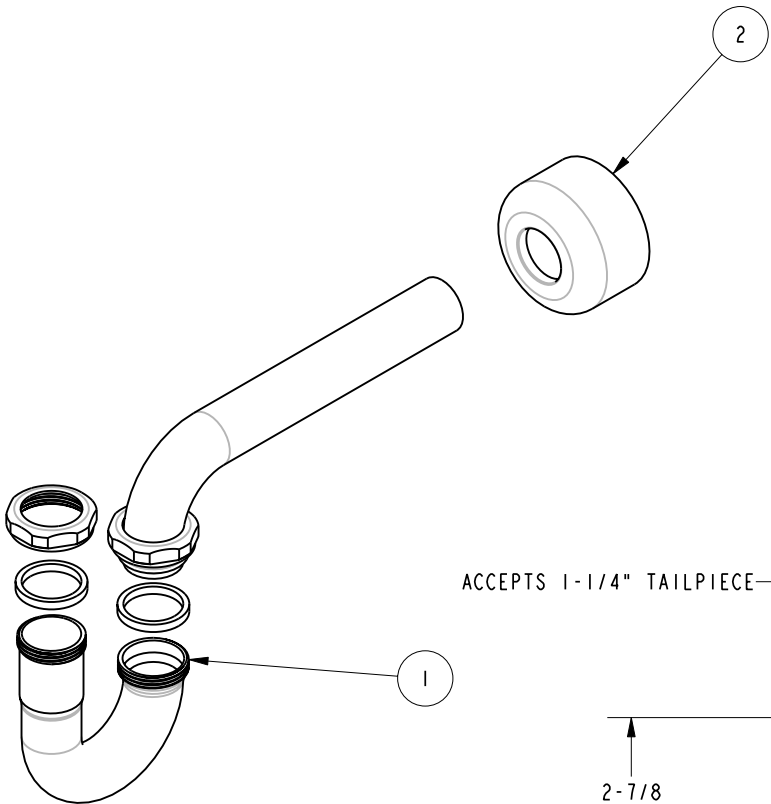
C

B

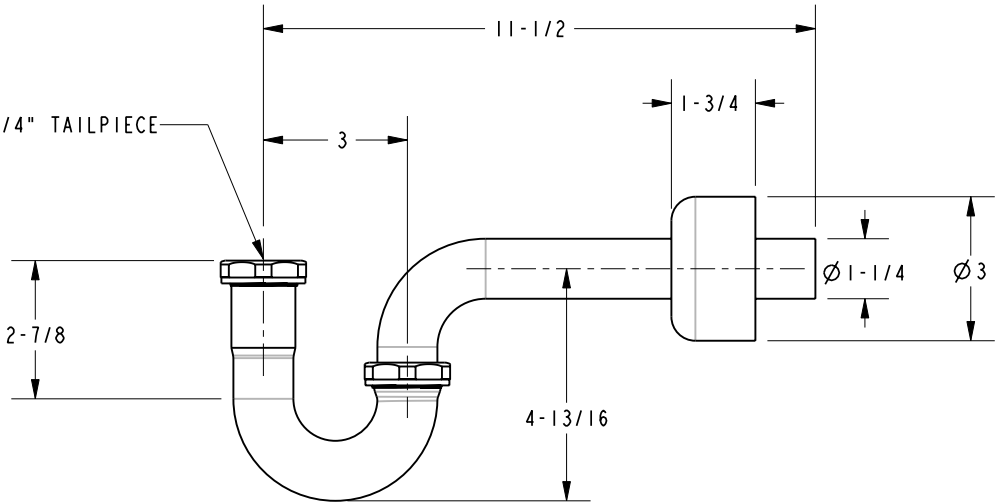
B

A

A



ACCEPTS 1-1/4" TAILPIECE



COPYRIGHT 2005 BRASSTECH, INC. THESE DRAWINGS AND THE DESIGNS DEPICTED HEREIN ARE THE PROPRIETARY PROPERTY OF BRASSTECH. ANY USE OR REPRODUCTION IS SUBJECT TO THE EXPRESS APPROVAL OF BRASSTECH. UNAUTHORIZED USE IS STRICTLY PROHIBITED. ALL RIGHTS RESERVED.

BRASSTECH
 INCORPORATED
 2001 E. CARNEGIE AVE.
 SANTA ANA, CA 92705
 (949) 417-5207

P-TRAP ASM 1-1/4" W/ BOX FLANGE

ASSY. NO.	3014	-	-	-
SCALE	.250	REF.	-	SHEET 1 OF 1
REV	-	REV DESC	RELEASED	DATE PRE '95

4

3

2

1