

SENSATION

54" x 54" x 20"

Thalassa means "the sea," where all states of being co-mingle.



PRODUCT NO.

MODEL	TMU	TUB
	BTHACD00T-XX	BTHACD00N-XX

THERMOMASSEUR (TMU) Hydro-thermo massage • Air jet system	\$
Jets	40
1 heated backrest & headrest	Included
Mia® Control	Included
Geysair®	Included
AromaCloud®** BAROMAC	\$
Illuzio Chromatherapy BCHRO6	\$
2 nd heated backrest (WTS-1 zone) BSHB	\$

TUB Soaker	\$
AromaCloud®** BAROMAC	\$
Illuzio Chromatherapy BCHRO6	\$
WarmTouchShell® BWTS	\$
DOT control	Included with therapy
2 nd WarmTouchShell® BWTS2	\$

FEATURES			
Installation type		Drop-in & Corner	
No. of bathers	2	Imp. gallons	46
US gallons	55	Grab bars (color match)	1

STANDARD COLOR		
		Included
White 01	Biscuit 02	

OPTIONS (UPCHARGE APPLICABLE)

COLOR	\$
 Gray 05	\$
WASTE & OVERFLOW 16" x 35" BOVER16-XX	
Chrome 07	\$
White 01, Biscuit 02	\$
Brushed Nickel 09, Polished Nickel 10, Oil-rubbed Bronze 11	\$
CONTROL (TMU only)	
MiaPlus®** BMIAP1-XX or BMIAP1-XX	\$
MiaMulti® BMIAM1-XX	\$
SKIRT SJ-3 SE BSJ3-XX	
White 01, Biscuit 02	\$
Gray 05	\$
CLEAR ACRYLIC GRAB BARS BGBG10-XX	
With Chrome 07 or Brushed Nickel 09 inserts	\$
TILE FLANGE	
Ordered with bath (not installed) BTILEN	\$
Factory-installed. Front BTILEF. Special installation BTILEO	\$

* The AromaCloud® is built into the deck.
 ** The MiaPlus® Control is Included when purchasing Chromatherapy on a TMU.

TOTAL PRICE	\$
--------------------	----

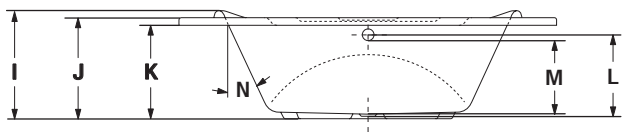
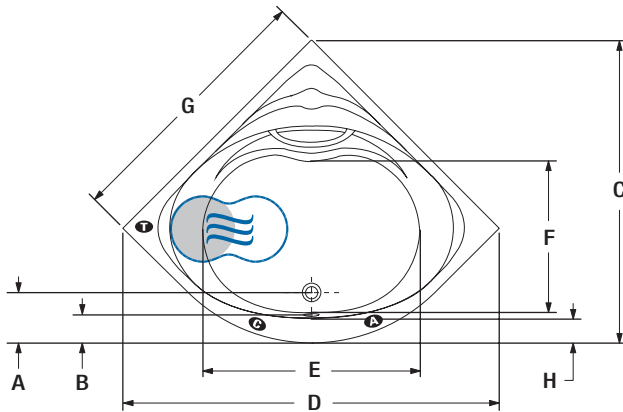


SENSATION



Acrylic grab bar

INSTALLATION



LETTER	DESCRIPTION	MEASURE
A	Outside edge to center drain	10 1/2"
B	Outside edge to overflow	5 1/2"
C	Total length	58 7/8"
D	Total width	75 7/8"
E	Bathing well length	44"
F	Bathing well width	28 7/8"
G	Sidewall length	53 7/8"
H	Deck width (widest point)	5 1/4"
I	Total height to raised headrest	22 1/4"
J	Height from bottom of TUB to top deck	20 1/4"
K	Height from bottom of TUB to bottom of lip	18 3/4"
L	Height from drain to center of overflow	15 3/4"
M	Maximum water level	14"
N	Slope of backrest	21°

- A** AromaCloud® position
- B** Control position when factory-installed (Mia® or DOT)
- C** Turbine position (TMU)
- Indicates heated backrest (TMU)
- ☞ Indicates WarmTouchShell® position (TUB)

TECHNICAL SPECIFICATIONS

Hot water supply required	Should be 70% of water capacity of TUB or greater.
Turbine	Access to the pump must be at least 18" x 22". Standard connection is 20 A, 120 V, 60 hz , dedicated line with a Ground-Fault Circuit Interrupter (GFCI). For any additional option, a second line is needed 15 A, 120 V, 60 hz , dedicated line with a GFCI. Air vent necessary: 2" x 4" minimum.
Other	Optional tile flange.

Our products must be installed by certified professionals only and according to our Owner's Manual as well as federal, provincial/state and local building codes and regulations (www.bainultra.com/documentation/documentation).

Cutting template	# 90000014
Approx. shipping weight	135 lbs
Turbine power	550 W
Air heater	600 W
WARRANTY	
Controls-LED-Geysair*	5 years
Bath & turbine*	20 years

* Some restrictions apply | www.bainultra.com/warranty



The specifications shown indicate the outer edge dimension and the inside bathing capacity dimension measured at air jets' height. The manufacturer accepts a 1/4" [0.64 cm] variance. There are variations on each product and specifications are subject to change as we improve upon our product as required. The dimensions needed for site preparation and structure building will differ. BainUltra® assumes no responsibility for preparatory work done prior to the product being on site.