

INSTALLATION INSTRUCTIONS CARE AND MAINTENANCE

*American
Standard*

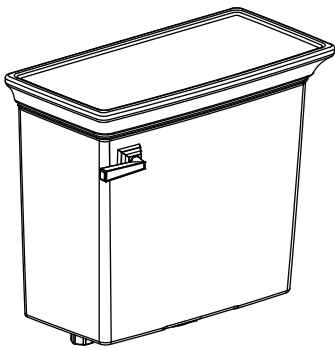
TOWN SQUARE® S 1.28 gpf / 4.8 Lpf 2-piece Toilet

Thank you for selecting American Standard - the benchmark of fine quality for over 100 years. To ensure this product is installed properly, please read these instructions carefully before you begin. (Certain installations may require professional help.) Also be sure your installation conforms to local codes.

⚠ CAUTION: PRODUCT IS FRAGILE. TO AVOID BREAKAGE AND POSSIBLE INJURY HANDLE WITH CARE!
NOTE: Pictures may not exactly define contour of china and components.

BEFORE INSTALLING YOUR TOILET: please see your product spec page to verify the dimensions and water supply connections. Visit our website where you can search by Model number for the product spec page at: <http://www.americanstandard-us.com/>

4216.228 LEFT HAND TANK / 4216.823 RIGHT HAND TANK



EZ-INSTALL KIT INCLUDED WITH TANK



Coupling Washer (1)



Tank To Bowl Gasket



Attachment Handle



Plastic Coupling Nut (1)



Metallic (Brass) Tank Nuts (2)

BOWL 3271.101 RIGHT HEIGHT® ELONGATED



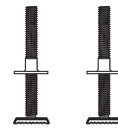
EZ-INSTALL KIT INCLUDED WITH BOWL



Bolt Caps (2)



Bowl-To-Floor Knobs (2)

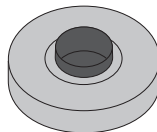


T-Bolts with Retainer (2)

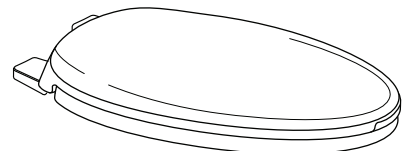
SOLD SEPARATELY



Water Supply Line



Wax Ring



Toilet Seat

USE
FOR
FUTURE
SAVE



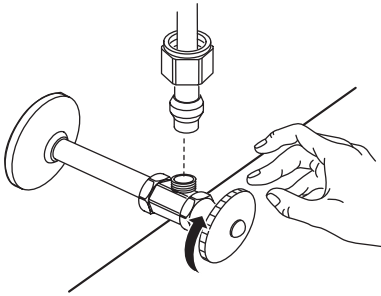
7302354-100A

Product names listed herein are trademarks of AS America, Inc.
© AS America, Inc. 2018

7302354-100 Rev. A 4/18

Before You Start:

Turn Off Water Supply

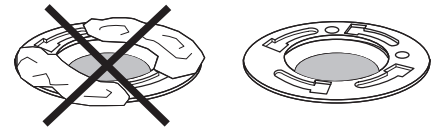


If Removing An Existing Toilet

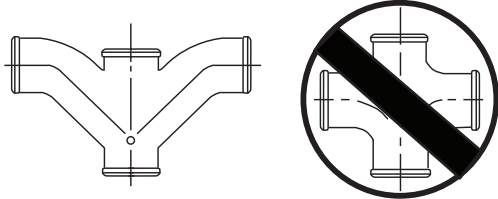
Flush to remove water from tank; sponge remaining water from bowl before removing toilet.



Clean Flange



Caution: If leaving floor flange open for more than 1-2 hours, cover flange to prevent escaping sewer gases.

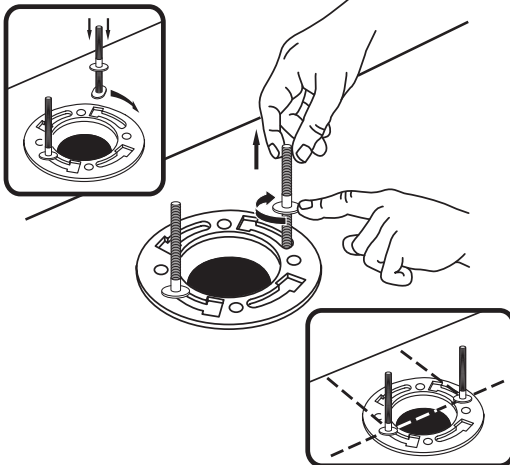


Recommended fitting type for back-to-back installations.

BACK-TO-BACK INSTALLATION

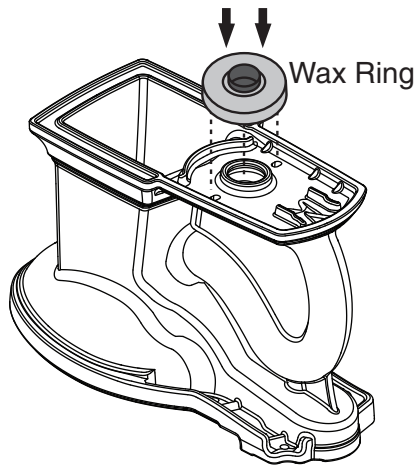
Depending upon your plumbing and venting conditions, the flow from the toilet in a back-to-back installation may create a vacuum on the system and draw water from the opposing bowl. The National Standards Plumbing Code prohibits the use of a cross fitting for drainage as throw over is possible. The code does approve a directional "Y" style fitting with proper venting to direct the water downward and away from the other toilet.

1

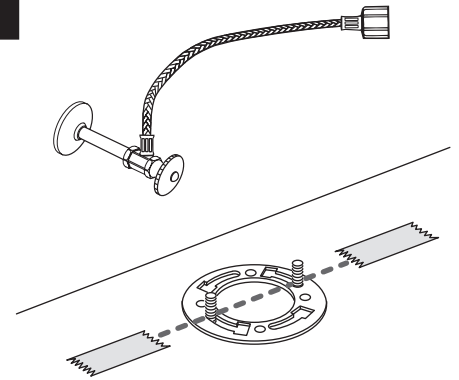


2

Press firmly.



3



TIP: Place 2 pieces of masking tape on floor (as shown) to help with alignment in step 4.

4

Apply weight evenly. Do not move after placement. Water tight seal may break.

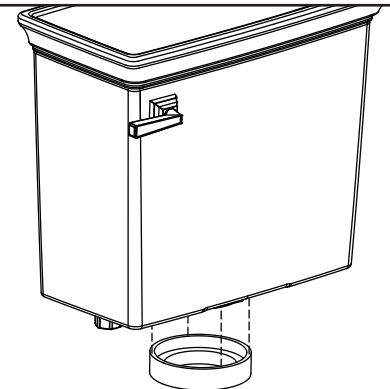


5



Caution: Hand Tighten Only. Do Not Overtighten.

6

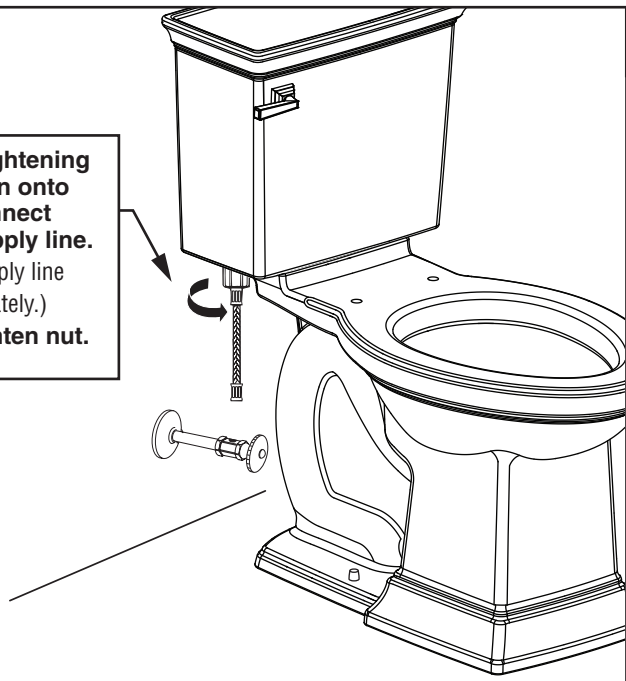


Tank-to-Bowl Gasket

Place the tank gasket over the tank nut ensuring there are not gaps between the gasket and the chinaware.

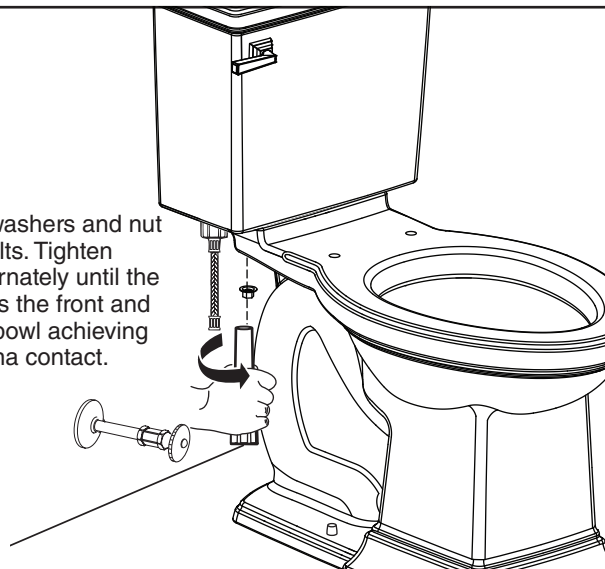
7

Before tightening tank down onto bowl, connect water supply line. (Water supply line sold separately.) Hand tighten nut.



8

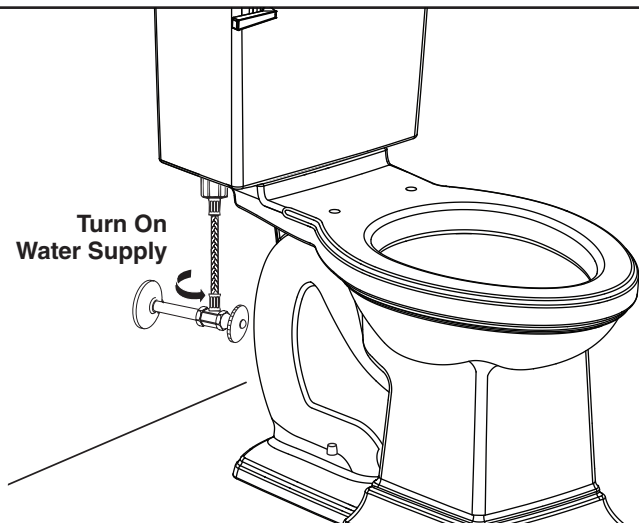
Place tank washers and nut over tank bolts. Tighten handles alternately until the tank contacts the front and back of the bowl achieving china-to-china contact.



NOTE: To ease installation, push down on the top of the tank while tightening handles.

9

Turn On Water Supply

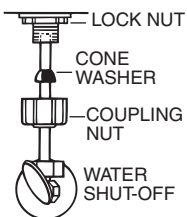


WARNING: Overtightening of water supply line nuts could result in breakage and potential flooding. If the connection leaks after hand tightening, replace the supply line. Do not use any type of sealant on the water supply connection. Use of plumber's putty, pipe dope, or any other type of sealant will void the warranty.

10a

Before continuing, determine the type of water supply connection you have from the chart below and use the appropriate assembly parts required to properly reconnect the water supply. DO NOT use plumber's putty to seal these fittings.

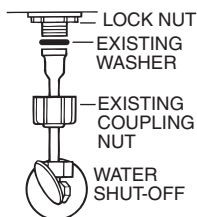
METAL / COPPER FLARED TUBING



These parts must be used as illustrated to insure water-tight connection. Use of existing coupling nut may result in water leakage. Water supply tube or pipe must extend at least 1/2" inside threaded shank of valve (does not apply to flanged tubing).

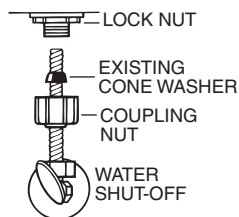
CAUTION: DO NOT USE CONE WASHER WITH PLASTIC SUPPLY LINE.

METAL FLANGED TUBING



Use existing coupling nut and washer.

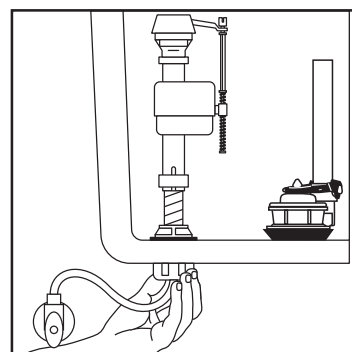
METAL SPIRAL TUBING



Use existing spiral tube washer. Fluidmaster cone washer may not seal completely on spiral type supply line.

CAUTION: Overtightening of LOCK NUT or COUPLING NUT could result in breakage and potential flooding.

10b

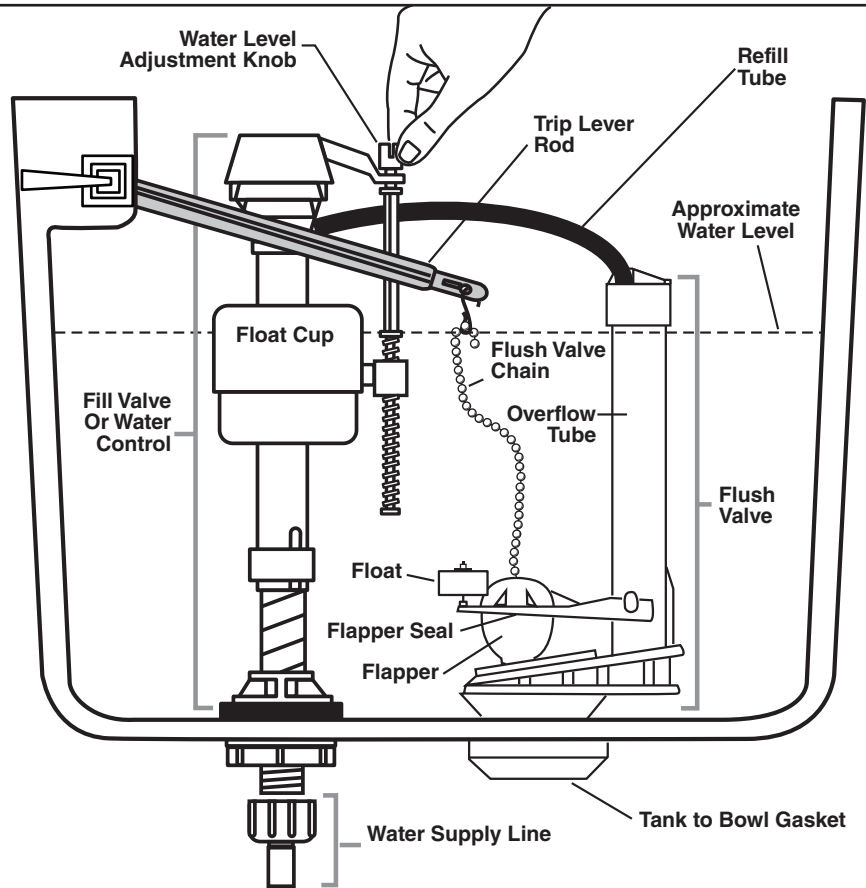


With correct washers in place (see Step 10a), tighten COUPLING NUT 1/4 turn beyond hand tight.

DO NOT OVERTIGHTEN.

A
Adjust water level to level indicated on tank by turning water level adjustment knob to move float cup up or down.

B
If bowl fails to siphon, an adjustment may be required with the lift chain. Simply remove the bead chain from the retainment clip and take up slack on the chain, and reinsert on lift rod. Make sure the chain is not too taught.



TROUBLESHOOTING GUIDE

PROBLEM	POSSIBLE CAUSE	CORRECTIVE ACTION
Does not flush	a. Water supply valve closed. b. Supply line blocked. c. Flush valve chain too loose or disconnected. d. Sand or debris lodged in water control.	a. Open valve and allow water to fill tank. b. Shut off water supply, disconnect supply line and inspect all gaskets and washers. Reassemble. Also, see Fluidmaster maintenance at: www.americanstandard-us.com/enews/fluidmasterguide.pdf c. Readjust chain length as required. d. Shut off water supply. Remove cap and clean as per Fluidmaster maintenance instructions at: www.americanstandard-us.com/enews/fluidmasterguide.pdf
Poor or sluggish flush	a. Bowl water level too low. b. Supply valve partly closed. c. Partially clogged trapway and/or drain pipe and/or vent. d. Supply pressure too low.	a. Check that refill tube is connected to water control and inserted into tank overflow without being kinked or damaged. b. Open supply valve fully. Be sure that proper supply tube size is used. c. Remove obstruction. Consult a plumber if necessary. d. Normal supply pressure must be at least 20 psi.
Toilet leaks	a. Poor supply line connection. b. Poor bowl to tank/floor connection.	a. Review Step 10 of installation procedure. b. Review Step 1 through 9 of installation procedure.
Toilet does not shut off	a. Flush valve chain too tight, holding flush valve open. b. Flush valve seat and/or flapper worn or deformed. c. Sand or debris lodged in water control.	a. Readjust chain length as needed. Review Step 11. b. Shut off water supply. Replace flush valve. c. Shut off water supply. Remove cap and clean as per Fluidmaster maintenance instructions at: www.americanstandard-us.com/enews/fluidmasterguide.pdf

CARE AND CLEANING

When cleaning your toilet, wash it with mild, soapy water, rinse thoroughly with clear water and dry with a soft cloth. Avoid detergents, disinfectants, or cleaning products in aerosol cans. NEVER use abrasive scouring powders or abrasive pads on your toilet seat. Some bathroom chemicals and cosmetics may damage the seat's finish.

WARNING: Do not use in-tank cleaners. Products containing chlorine (calcium hypochlorite) can seriously damage fittings in the tank. This damage can cause leakage and property damage. **American Standard shall not be responsible or liable for any tank fitting damage caused by the use of cleaners containing chlorine (calcium hypochlorite).**

In the United States:

American Standard Brands
1 Centennial Ave.
Piscataway, New Jersey 08854
Attention: Director of Customer Care

For residents of the United States, warranty information may also be obtained by calling the following toll free number: (800) 442-1902
www.americanstandard.com

In Canada:

LIXIL Canada, ULC
5900 Avebury Rd.
Mississauga, Ontario
Canada L5R 3M3

Toll Free: (800) 387-0369
www.americanstandard.ca

In Mexico:

American Standard B&K Mexico
S. de R.L. de C.V.
Via Morelos #330
Col. Santa Clara
Ecatepec 55540 Edo. Mexico

Toll Free: 01-800-839-1200
www.americanstandard.com.mx