

INSTALLATION INSTRUCTIONS CARE AND MAINTENANCE

American Standard

Style That Works Better

0641 BOULEVARD
0403 TROPIC PETITE
0404 TROPIC GRANDE

Thank you for selecting American Standard - the benchmark of fine quality for over 100 years. To ensure this product is installed properly, please read these instructions carefully before you begin. (Certain installations may require professional help.) Also be sure your installation conforms to local codes.

CAUTION: PRODUCT IS FRAGILE. TO AVOID BREAKAGE AND POSSIBLE INJURY HANDLE WITH CARE!

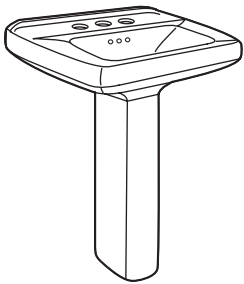
NOTE: Pictures may not exactly define contour of china and components.

RECOMMENDED TOOLS AND MATERIALS

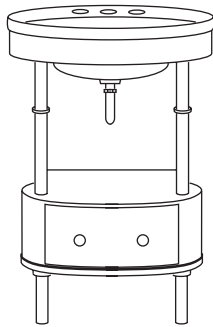
Putty Knife	Regular Screwdriver	Adjustable Wrench	Drill	Tape Measure
Hacksaw	Phillips Screwdriver	Pipe Wrench	Basin Wrench	Channel Lock Pliers
Level	Saber Saw	Plumber's Putty or Caulking		

OBSERVE LOCAL PLUMBING AND BUILDING CODES

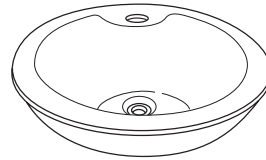
This lavatory can be installed 4 different ways. Please follow the instructions for your installation method.



1. PEDESTAL

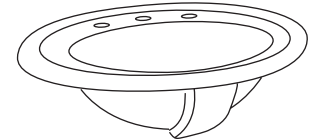


2. WALL-HUNG ON FURNITURE



3. ABOVE COUNTER

* not recommended for 0404



4. DROP-IN

* not recommended for 0404

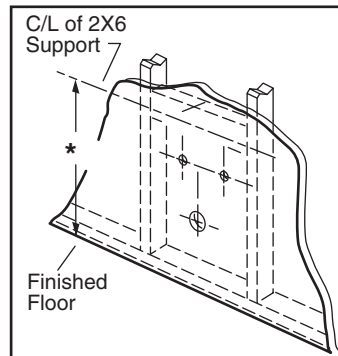
1. Pedestal installation

1-A

Provide suitable reinforcement behind finished wall for lavatory mounting screws.

* Determine horizontal center line location of support from fixture.

NOTE: If replacing an existing sink be certain to shut off water supply before removing old sink.



1-C

Mark lavatory and pedestal screw locations through the mounting holes.

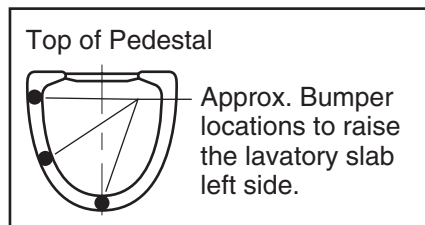
1-D

Remove lavatory and pedestal from installed position. Drill pilot holes for lavatory and pedestal anchor screws or lag bolts.

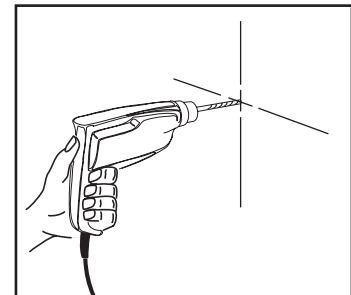
Note: Some models are supplied with lag bolts, anchor screws, or steel hangers for lavatory installations only. Other models and all pedestals are not provided with mounting hardware. Various pedestal screw sizes and types are available to the installer at local hardware outlets.

1-B

Place lavatory and pedestal into installed position. Level and square the lavatory and pedestal assembly. Use one or more bumper cushions to level and cushion lavatory slab to pedestal.



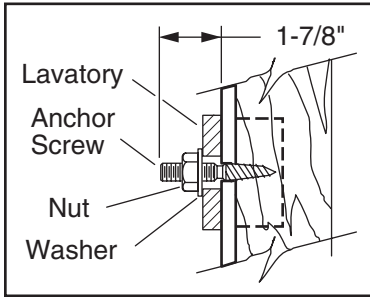
For example only



USE FOR FUTURE SAVE

1-E ANCHOR SCREW INSTALLATION

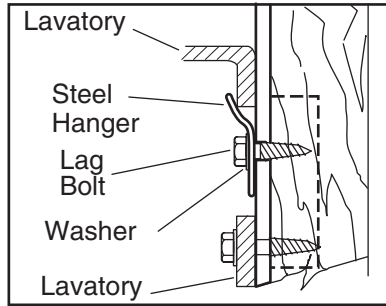
Install lavatory anchor screws leaving 1-7/8" threaded end exposed as illustrated.



IMPORTANT: Final assembly of nut and washer or lag bolt method shown for reference only.

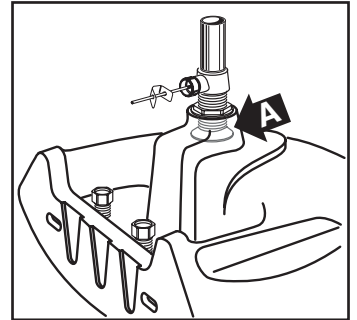
LAG BOLT INSTALLATION

Use lag bolts to secure lavatory as illustrated.

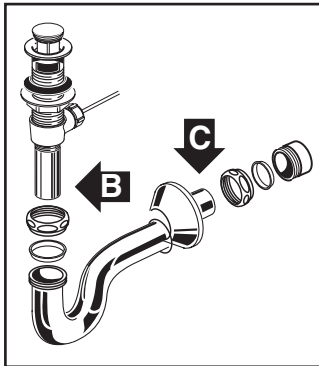


1-F

Following manufacturer's instructions, install faucet and drain assembly (not included). Be certain to apply a bead of sealing putty on the underside of the drain (area "A") in order to ensure a watertight seal between the lavatory and drain. Remove excess putty after installing drain on lavatory.

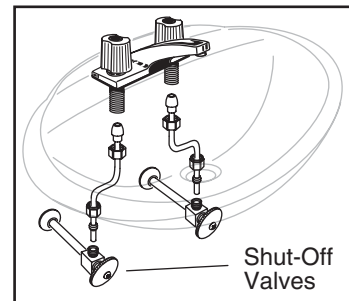


1-G Return the fitted lavatory to the installed position. Connect trap to drain assembly hand tight to check alignment. It may be necessary to cut off part of the tailpiece (area "B") or part of the horizontal leg of the trap (area "C").



1-H

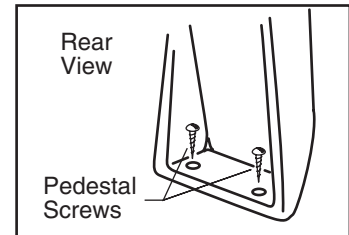
Secure lavatory to wall as shown in 1-E. Install washers and hand tighten nuts or lag bolts. Level and square the unit. Connect hot and cold supply lines to the shut-off valves. Tighten trap joints for watertight assembly.



1-I

Install pedestal screws. Securely tighten lavatory anchor nuts or lag bolts.

Note: Space constraints may dictate method of fastening pedestal to floor.

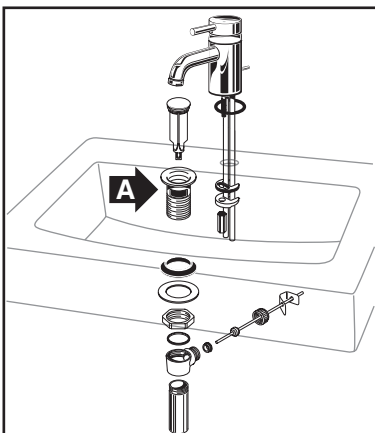


2. Wall-hung on furniture

2-A Mounting on Furniture:

Assemble vanity as per instructions.

2-B Mount the faucet and drain assembly (not included) on the sink following the manufacturer's instructions. Be certain to apply a bead of sealing putty on the underside of the drain (Part "A") in order to ensure a watertight seal between the sink and drain. Remove excess putty after installing drain on sink.



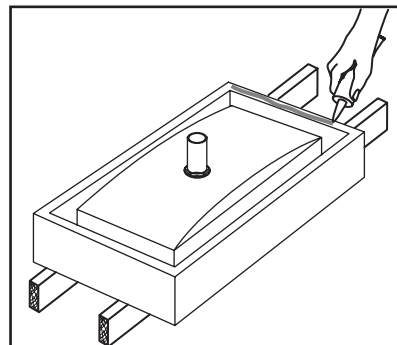
2-C

Vanity Installation:

- Place the sink temporarily on the vanity to check for alignment and clearance

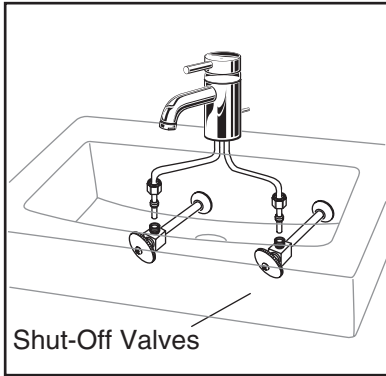
2-D

After checking fit and alignment, turn sink upside down and apply a generous portion of silicone adhesive around the under side of the rim near the edge. Place sink in position. Wipe off excess adhesive.

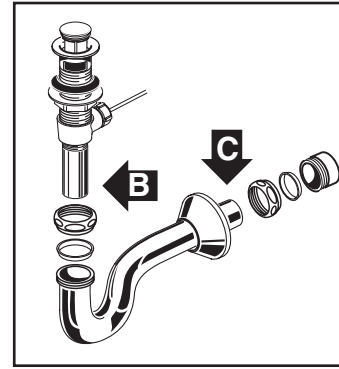


2-E

Use the mounting holes on the rear of the lavatory to secure the sink to the wall.

2-F

Connect supply line to faucet (finger tight) and carefully bend tubes to engage with the supply shut-off valves. Tighten connections at faucet and shut-off valves for secure seal.

2-G

Connect trap to drain assembly hand tight to check alignment. It may be necessary to cut off part of the tailpiece (area "B") or part of the horizontal leg of the trap (area "C"). Secure joints for watertight assembly.

3. Above Counter OR 4. Drop-in

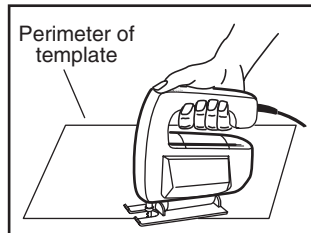
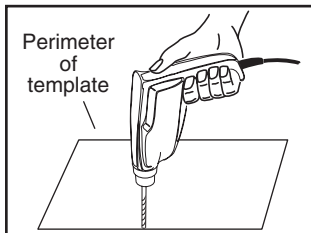
3-A Countertop Installation:

4-A Using the template provided, locate the position of the sink on the countertop. Provide proper clearance under the countertop for the faucet supply lines, drain assembly and the structural parts of the cabinet.

NOTE: If replacing an existing sink be certain to shut off water supply before removing old sink.

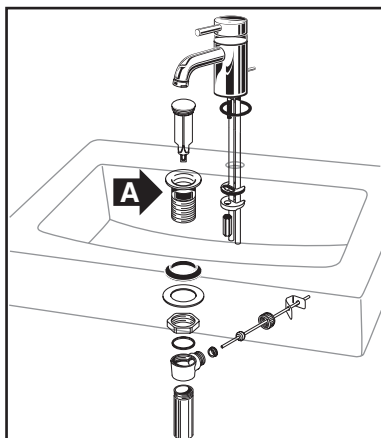
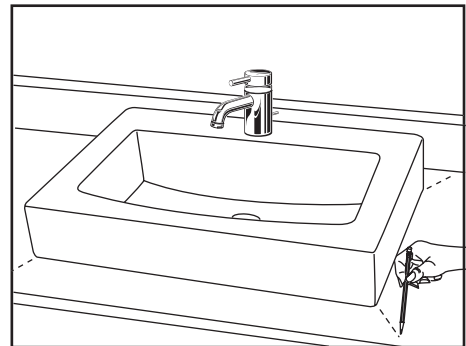
3-B Drill a clearance hole inside the perimeter line of the template for countertop installation.

4-B



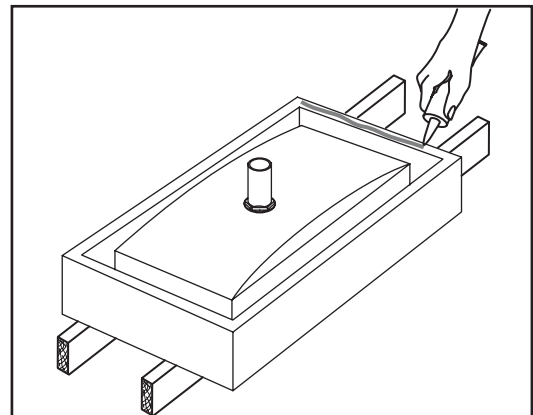
Cut opening around the perimeter of the template.

3-C Mount the faucet and drain assembly (not included) on the sink following the manufacturer's instructions. Be certain to apply a bead of sealing putty on the underside of the drain (Part "A") in order to ensure a watertight seal between the sink and drain. Remove excess putty after installing drain on sink.

4-C**3-D****4-D**

Countertop Installation:

- Place the sink temporarily into the template
- Check for alignment and clearance
- Mark the sink and countertop in several places as a guide for the installation location.

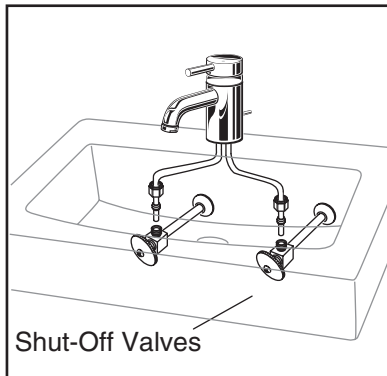
3-E**4-E**

After checking fit and alignment, turn sink upside down and apply a generous portion of silicone adhesive around the under side of the rim near the edge. Place sink in position. Wipe off excess adhesive.

3-F
4-F

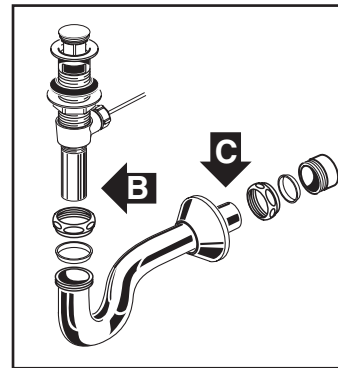
Use the mounting holes on the rear of the lavatory to secure the sink to the wall.

3-G
4-G



Connect supply line to faucet (finger tight) and carefully bend tubes to engage with the supply shut-off valves. Tighten connections at faucet and shut-off valves for secure seal.

3-H
4-H



Connect trap to drain assembly hand tight to check alignment. It may be necessary to cut off part of the tailpiece (area "B") or part of the horizontal leg of the trap (area "C"). Secure joints for watertight assembly.

AS AMERICA, INC. ONE YEAR LIMITED WARRANTY

If inspection of this AS America, Inc. ("American Standard") plumbing product, within one year after its initial purchase, confirms that it is defective in materials or workmanship, American Standard will repair or, at its option, exchange the product for a similar model.

This limited warranty applies only to the original purchaser and installation of these products. In the event of a limited warranty claim, proof of purchase will be required—save sales receipt.

This limited warranty does not apply to local building code compliance. Since local building codes vary considerably, the purchaser of this product should check with a local building or plumbing contractor to insure local code compliance before installation.

This limited warranty is void if the product has been moved from its initial place of installation; if it has been subjected to faulty maintenance, abuse, misuse, accident or other damages; if it was not installed in accordance with American Standard's instructions; or if it has been modified in a manner inconsistent with the product as shipped by American Standard.

American Standard's option to repair or exchange the product under this limited warranty does not cover any labor or other costs of removal or installation. IN NO EVENT WILL AMERICAN STANDARD BE LIABLE FOR THE COST OF REPAIR OR REPLACEMENT OF ANY INSTALLATION MATERIALS, INCLUDING BUT NOT LIMITED TO, TILES, MARBLE ETC. American Standard will not be responsible for any other incidental or consequential damages attributable to a product defect or to the repair or exchange of a defective product, all of which are expressly excluded from this limited warranty. This limited warranty does not cover any liability for consequential or incidental damages, all of which are hereby expressly disclaimed, or the extension beyond the duration of this limited warranty of any implied limited warranties, including those of merchantability or fitness for an intended purpose. (Some states or provinces do not allow the exclusion or limitation of implied limited warranties, so this exclusion may not apply to you.)

This limited warranty gives you specific legal rights. You may have other statutory rights that vary from state to state or from province to province, in which case this limited warranty does not affect such statutory rights.

For service under this warranty, it is suggested that a claim be made through the contractor or dealer from or through whom the product was purchased, or that a service request (including a description of the product model and of the defect) be sent to the following address:

In the United States:
American Standard Brands
P.O. Box 6820
Piscataway, New Jersey 08855
Attention: Director of Consumer Affairs

For residents of the United States, warranty information may also be obtained by calling the following toll free number: (800) 442-1902
www.americanstandard-us.com

In Canada:
AS Canada ULC
2480 Stanfield Rd.
Mississauga, Ontario
Canada L4Y 1S2
Toll Free: (800) 387-0369
www.americanstandard.ca

In Mexico:
Customer Service Manager
AS Maquila, S.A. de C.V.
Via Morelos #330
Col. Santa Clara
Ecatepec 55540 Edo. Mexico
www.americanstandard.com/mx